



MANUFACTURED BY:
Backyard Discovery
3305 Airport Drive, Pittsburg, KS 66762
800-856-4445

Basepoint Business Centre: Rivermead Drive, Westlea, Swindon SN5 7EX Phone: 0800-118-2476
J.P. Coenstraat 7, The Bridge, The Hague, 2595 WP, Netherlands Phone: 0800-567-8990

12x12 ARLINGTON GAZEBO

Model # 2206113B

The assembly manual must be retained
since it contains important information



Please visit www.backyarddiscovery.com

For the most up to date assembly manual, to register your set, or to order replacement parts
Para obtener instrucciones en español, visite www.backyarddiscovery.com



EASY STEP-BY-STEP
3D INTERACTIVE INSTRUCTIONS
DOWNLOAD THE FREE APP



Made in China

INS-2206113B-A-12x12 ARLINGTON GAZEBO-ENG 1-3-2024

Owner's Manual - Basic Setup Dimensions & Assembly Notes

It is critically important that you start with square and level footings, concrete pad or deck to attach your structure

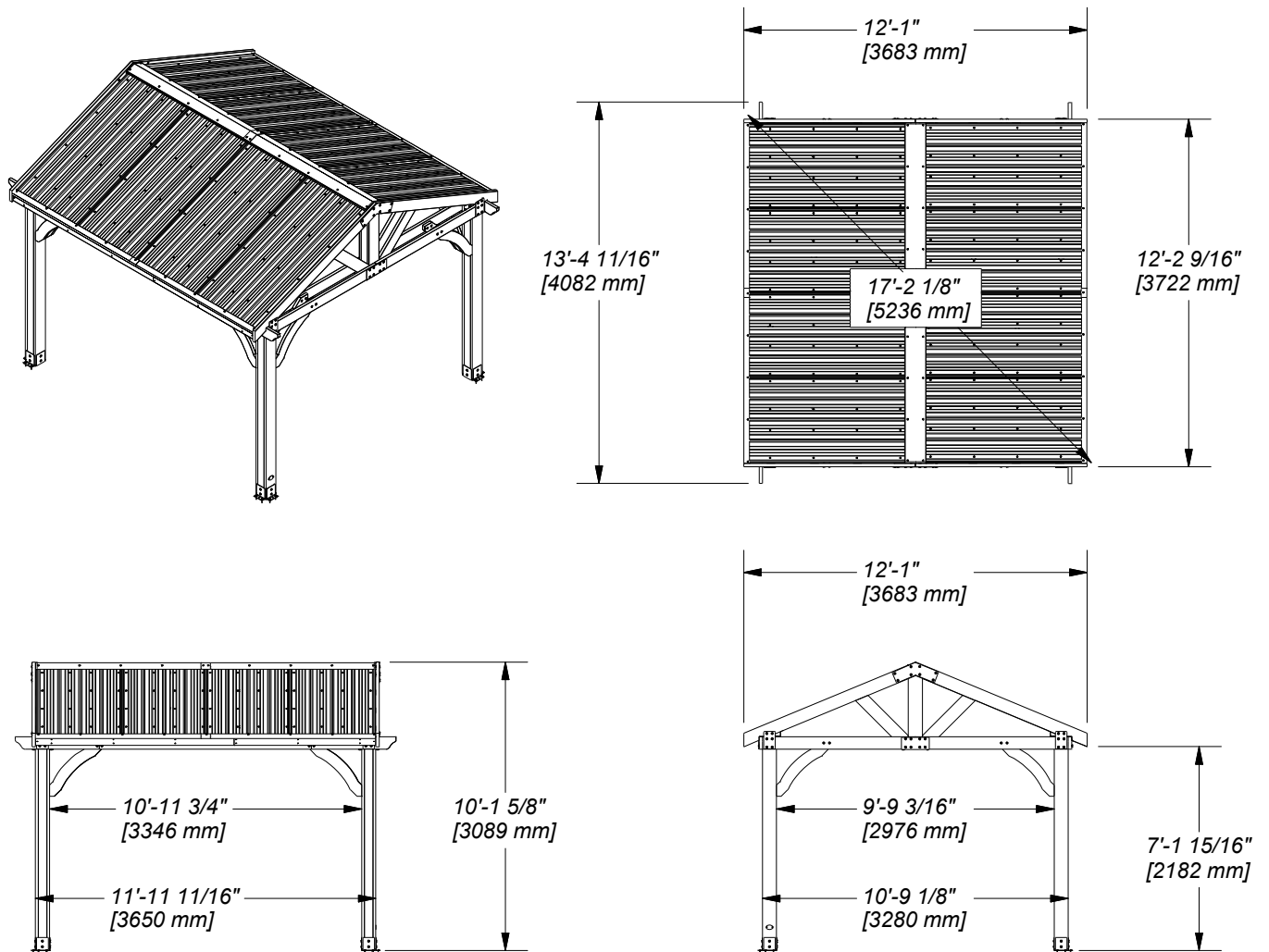
- Pay close attention to the items needed for each step. Make sure you are using the correct hardware for each step. Using incorrect hardware may result in improper assembly
- Remember to double check for underground utilities and overhead electrical lines

Post mounts are provided with your structure which allows you to permanently install your structure to a pre-existing or new wood or concrete surface.

- The hardware to attach the post mounts to the structure is included.
- The hardware to mount the structure permanently to a concrete surface is included.
- The hardware to mount the structure permanently to a wood deck is NOT included and will need to be purchased separately. **You must ensure there is ample structural support under the deck before permanently attaching.**

Metal Roof Assembly

Remove plastic covering from metal roof panels before installing each piece. Place roofing materials on a nonabrasive, flat surface before and after assembly as it could bend, dent or scratch

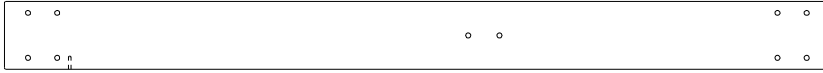


Owner's Manual - Parts Identification

Wood Components (Not to Scale)



D01 BEAM - W4L18477
(x2) 1 3/8"x5 1/4"x89 1/2" (36x134x2274)



D02 BEAM - W4L18471
(x8) 1 3/8"x5 1/4"x64 5/8" (36x134x1640)



D03 BEAM - W4L17992
(x4) 1 3/8"x5 1/4"x35 5/8" (36x134x904)



D04 BEAM - W4L18478
(x4) 1 3/8"x5 1/4"x67 1/4" (36x134x1707)



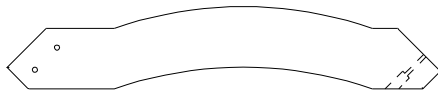
D05 ANGLE BRACE - W4L17997
(x4) 1 3/8"x5 1/4"x30 1/4" (36x134x769)



D06 ANGLE BRACE - W4L18472
(x4) 1 3/8"x5 1/4"x32 3/8" (36x134x823)



D07 ANGLE BRACE - W4L18473
(x8) 1 3/8"x6 3/8"x35" (36x163x888)



D08 ANGLE BRACE - W4L18474
(x7) 1 3/8"x6 3/8"x33 7/8" (36x163x860)



D09 ANGLE BRACE - W2A04059
(x1) 1 3/8"x6 3/8"x33 7/8" (36x163x860)



E01 OUTSIDE RAFTER - W4L17999
(x4) 1 3/8"x3 3/8"x77 3/8" (36x86x1965)



E02 RAFTER - W4L17998
(x8) 1 3/8"x3 3/8"x77 3/8" (36x86x1965)



E03 SHEATHING BOARD - W4L18479
(x8) 1 3/8"x3 3/8"x58 1/4" (36x86x1478)

Owner's Manual - Parts Identification

Wood Components (Not to Scale)



E04 SHEATHING BOARD - W4L18480
(x8) 1 3/8"x3 3/8"x87 1/4" (36x86x2217)



H01 RAFTER - W4L18481
(x2) 1"x3 3/8"x79 3/8" (24x86x2016)



H02 FASCIA - W4L18482
(x2) 1"x3 3/8"x85 3/8" (24x86x2170)



H03 RAFTER - W4L18483
(x2) 1"x3 3/8"x53 11/16" (24x86x1364)



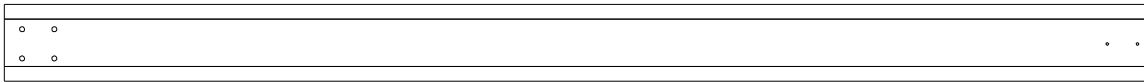
H04 FASCIA - W4L18484
(x2) 1"x3 3/8"x59 3/4" (24x86x1518)



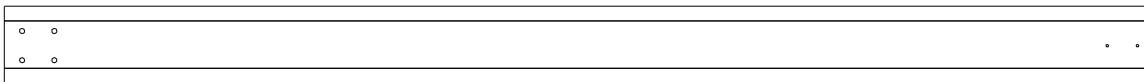
J01 RIDGE CAP STIFFENER - W4L18485
(x2) 1"x2 3/8"x60 7/8" (24x60x1546)



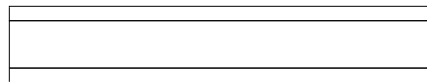
J02 RIDGE CAP STIFFENER - W4L18486
(x2) 1"x2 3/8"x82 1/2" (24x60x2096)



P1 POST - W2A03766
(x2) 6"x6"x89 1/2" (152x152x2274)



P2 POST - W2A03767
(x2) 6"x6"x89 1/2" (152x152x2274)



P3 POST - W2A03769
(x2) 6"x6"x33 1/4" (152x152x845)



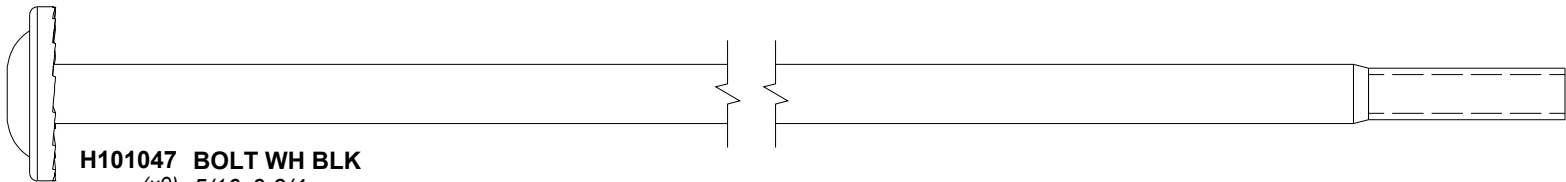
RP1 END RAFTER - W2A03768
(x2) 2 13/16"x5 1/4"x80 5/8" (72x134x2048)



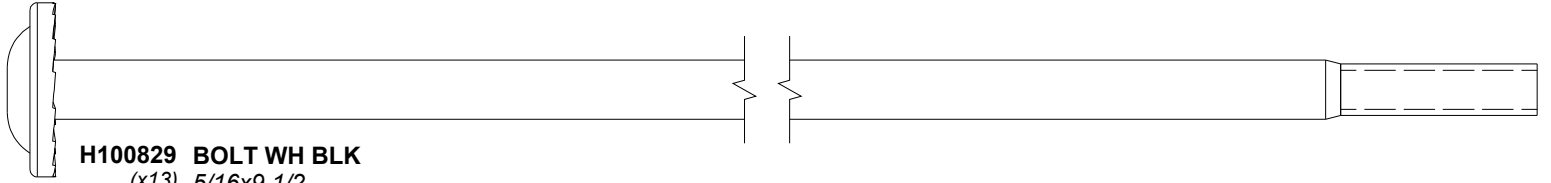
RP2 END RAFTER - W2A03770
(x2) 2 13/16"x5 1/4"x80 5/8" (72x134x2048)

Owner's Manual - Parts Identification

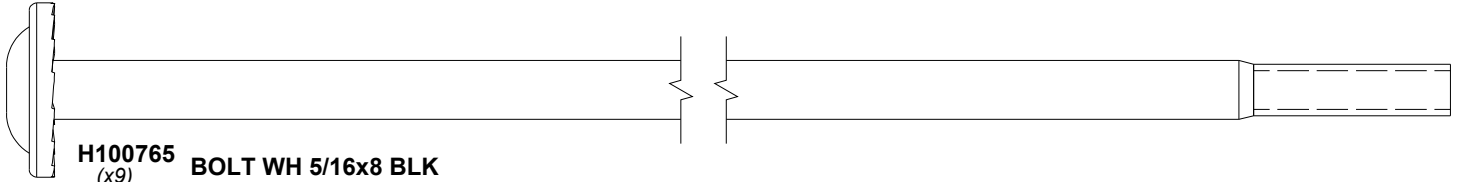
Hardware Components



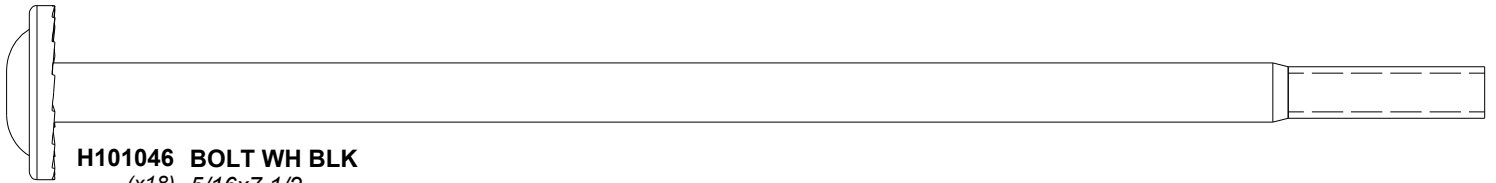
H101047 BOLT WH BLK
(x9) 5/16x9 3/4



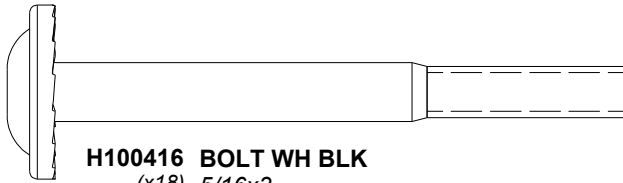
H100829 BOLT WH BLK
(x13) 5/16x9 1/2



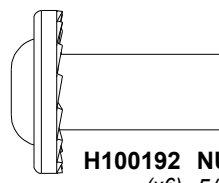
H100765 BOLT WH 5/16x8 BLK
(x9)



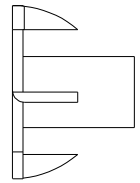
H101046 BOLT WH BLK
(x18) 5/16x7 1/2



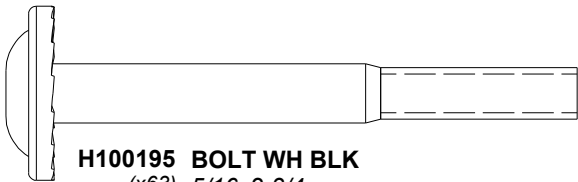
H100416 BOLT WH BLK
(x18) 5/16x3



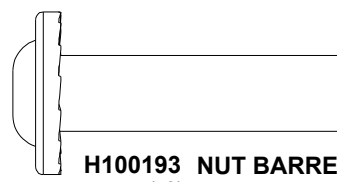
H100192 NUT BARREL WH BLK
(x6) 5/16x7/8



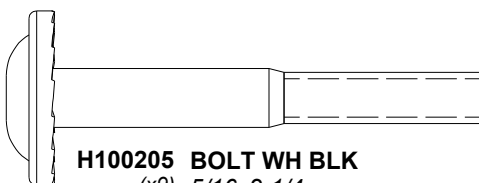
H100379 T-NUT BLK
(x134) 5/16



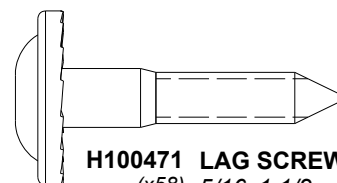
H100195 BOLT WH BLK
(x63) 5/16x2-3/4



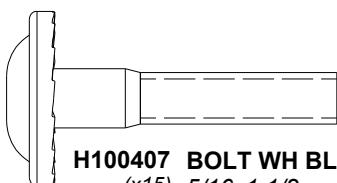
H100193 NUT BARREL WH BLK
(x9) 5/16x1-1/2



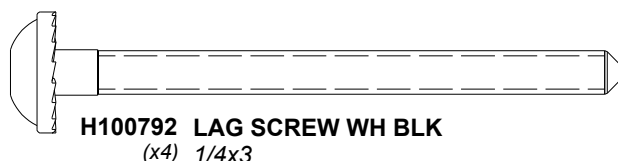
H100205 BOLT WH BLK
(x9) 5/16x2-1/4



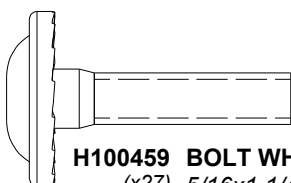
H100471 LAG SCREW WH BLK
(x58) 5/16x1 1/2



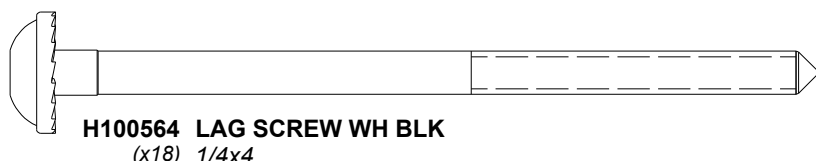
H100407 BOLT WH BLK
(x15) 5/16x1 1/2



H100792 LAG SCREW WH BLK
(x4) 1/4x3



H100459 BOLT WH BLK
(x27) 5/16x1 1/4



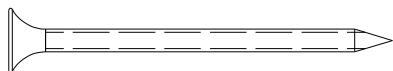
H100564 LAG SCREW WH BLK
(x18) 1/4x4

Owner's Manual - Parts Identification

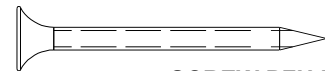
Hardware Components



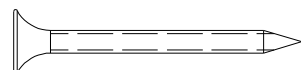
H100201 SCREW PFH BLK
(x4) 8x2-1/2



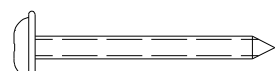
H100391 SCREW PFH BLK
(x99) 8x2



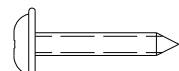
H100382 SCREW PFH BLK
(x4) 8x1 3/4



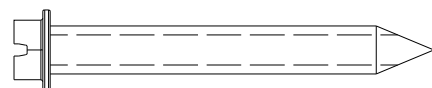
H100200 SCREW PFH BLK
(x34) 8x1 1/2



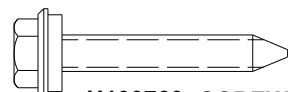
H100536 SCREW PWH BLK
(x45) 8x1 1/4



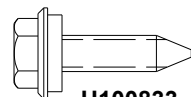
H100392 SCREW PWH BLK
(x18) 8x3/4



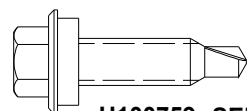
H100120 SCREW CONCRETE ANCHOR
(x18) 1/4x2



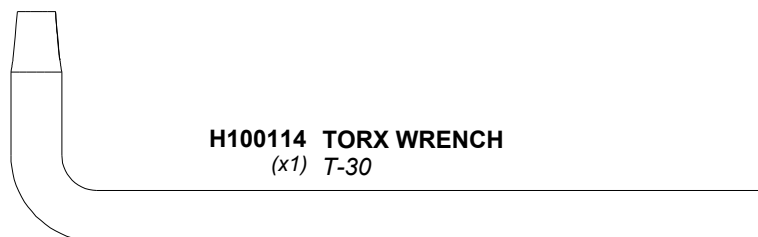
H100760 SCREW WOODGRIP
(x143) 10x1 1/4



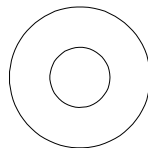
H100833 SCREW WOODGRIP
(x22) 10x3/4



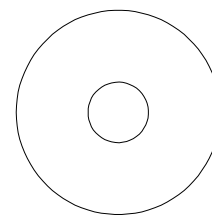
H100759 SELF TAPPING
(x20) 1/4-14



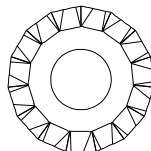
H100114 TORX WRENCH
(x1) T-30



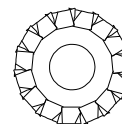
H100630 WASHER FLAT BLK
(x18) 8x19



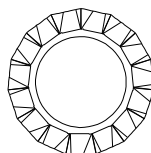
H100478 WASHER FLAT BLK
(x27) 8x27



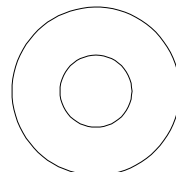
H100198 WASHER LOCK EXT BLK
(x104) 8x19



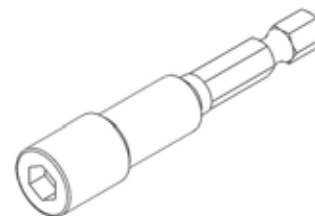
H100405 WASHER LOCK EXT BLK
(x22) 6x15



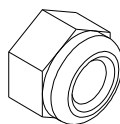
H100199 WASHER LOCK EXT BLK
(x6) 12x19



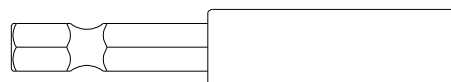
H100770 WASHER FLAT BLK
(x4) 5/16



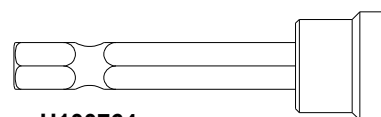
H101106 SOCKET DRIVER
(x1)



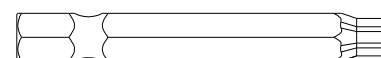
H100479 NUT LOCK BLK
(x31) 5/16



H101100 MAGNETIC DRIVER
(x1)



H100764 SCREW SETTER
(x1)



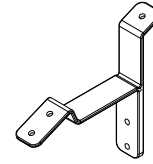
H100147 TORX BIT
(x1) T-30

Owner's Manual - Parts Identification

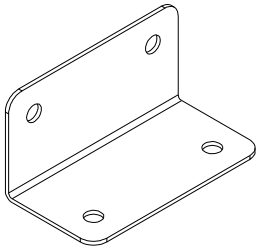
Accessory Components (Not to Scale)



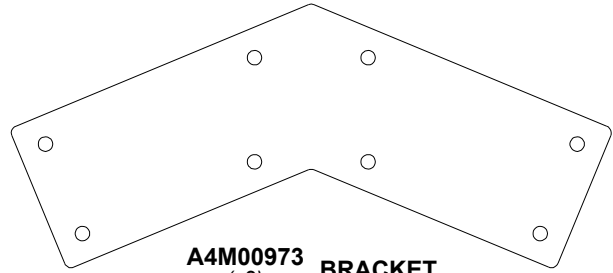
A100241
(x1) **BYD ID TAG (SMALL) WITHOUT AGES**



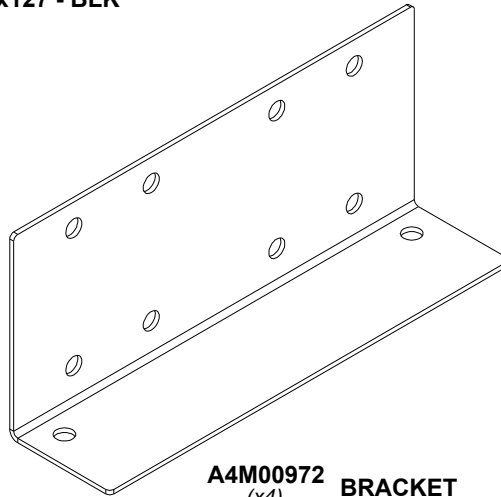
A4M00961
(x8) **ROOF BRACKET**



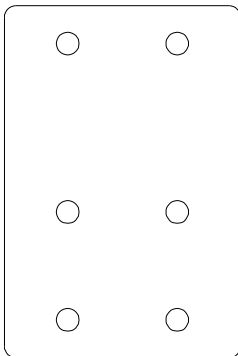
A4M00619
(x4) **L BRACKET 66x66x127 - BLK**



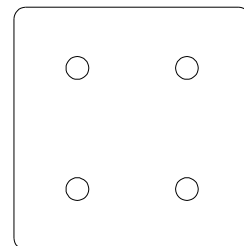
A4M00973
(x2) **BRACKET**



A4M00972
(x4) **BRACKET**



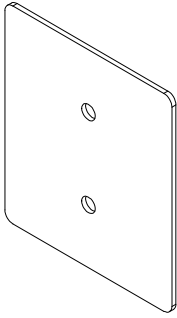
A4M00974
(x4) **BRACKET**



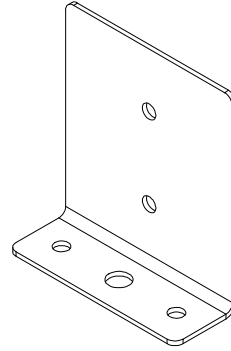
A4M00979
(x4) **BRACKET**

Owner's Manual - Parts Identification

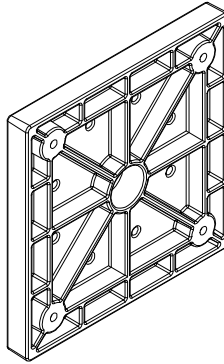
Accessory Components (Not to Scale)



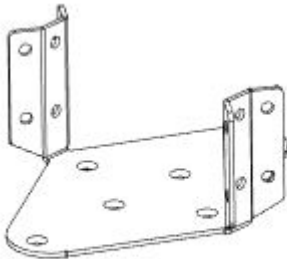
A4M00978
(x8) POST PLATE



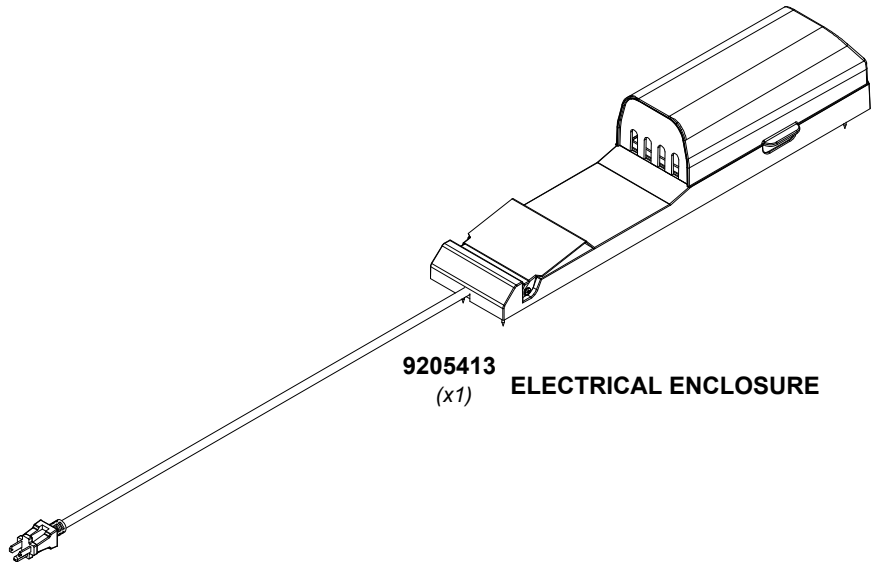
A4M00977
(x8) POST ANCHORING PLATE



A6P00308
(x4) 6x6 POST FOOT



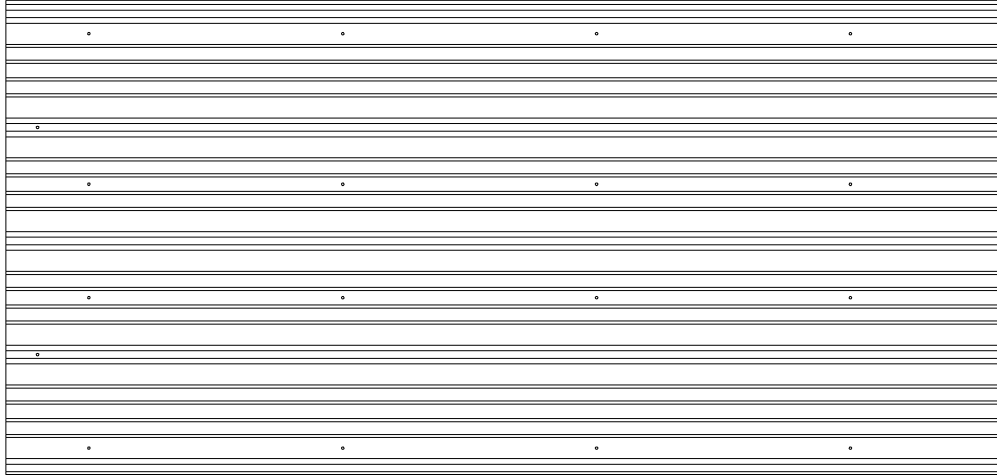
A4M02501
(x1) FAN MOUNT BRACKET



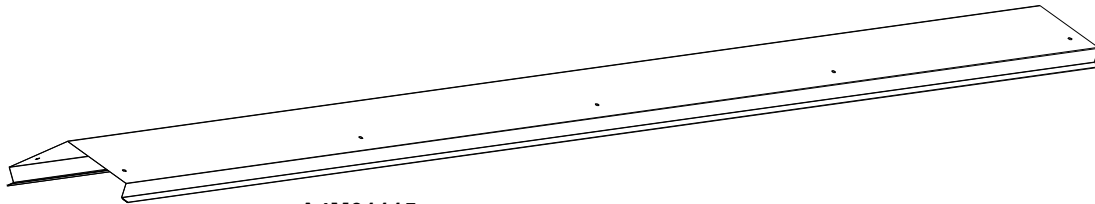
9205413
(x1) ELECTRICAL ENCLOSURE

Owner's Manual - Parts Identification

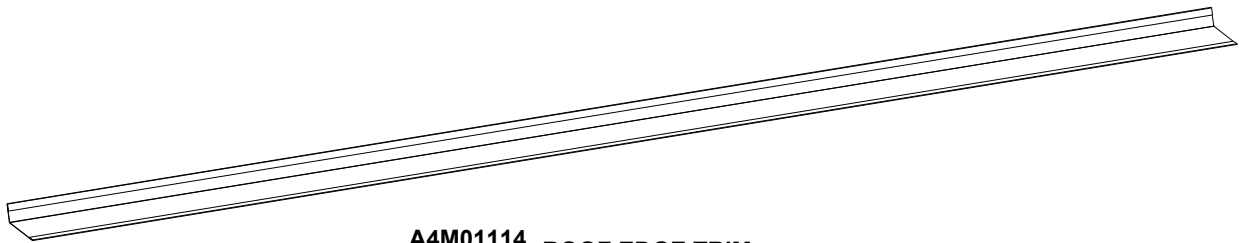
Accessory Components (Not to Scale)



A4M01125
(x8) 29 GA STEEL SHEETING



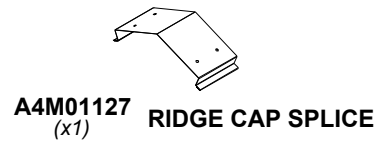
A4M01115
(x2) 12 FOOT RIDGE CAP 29 GA



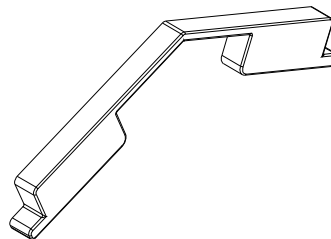
A4M01114
(x4) ROOF EDGE TRIM



A4M00983
(x2) ROOF EDGE TRIM SPLICE



A4M01127
(x1) RIDGE CAP SPLICE



A6P00398
(x2) RIDGE CAP PROTECTOR

PRE-ASSEMBLY STEP 1 - SORTING PARTS

It is critical for ease of assembly that you take the time to sort and organize the wood and hardware.

WOOD PARTS:

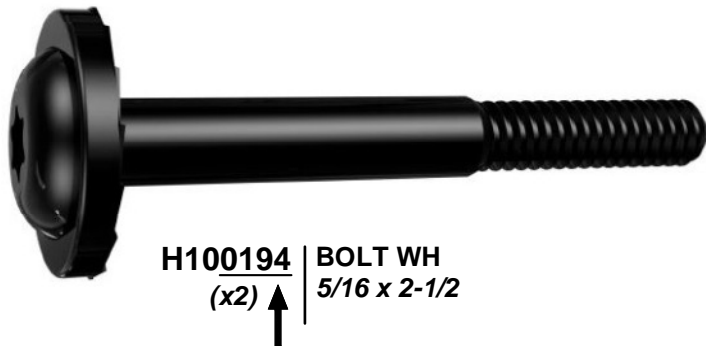
- Organize wood parts by the three-digit, alpha-numeric number stamped on each board (ex. P01).
- If there are multiple boards with the same stamped number, stack those pieces together.
- Stamps can be found on the flat surface of the boards or on the end of the boards.
- Allow yourself plenty of room - the wood pieces can take up a significant amount of space.

NOTE: CARTONS ARE NOT ORGANIZED BY BOARD NUMBER.



HARDWARE PARTS:

- We recommend that you have a separate table to organize the hardware.
- Hardware bags are printed with a seven-digit, alpha-numeric part number.
- You can organize your hardware by part number or group by hardware type (i.e. bolts, nuts, etc.).
- During assembly you only need to reference the last four digits of the number.



PRE-ASSEMBLY STEP 2 - TOOLS REQUIRED



**Cordless Drill or
Electric Drill**



**Drill Attachments:
Phillips Head**



**1/8", 3/16", 3/8" & 7/16"
Drill Bits**



Phillips Screw Driver



Open End Wrenches 1/2" & 9/16"



**3/8" Drive Ratchet, 1/2" &
9/16" STD Sockets 1/2" & 9/16" Deep
Sockets**



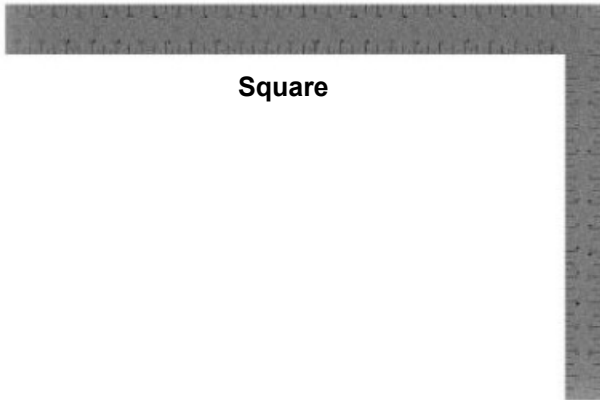
Claw Hammer



Rubber Mallet - Optional



Tape Measure



Square

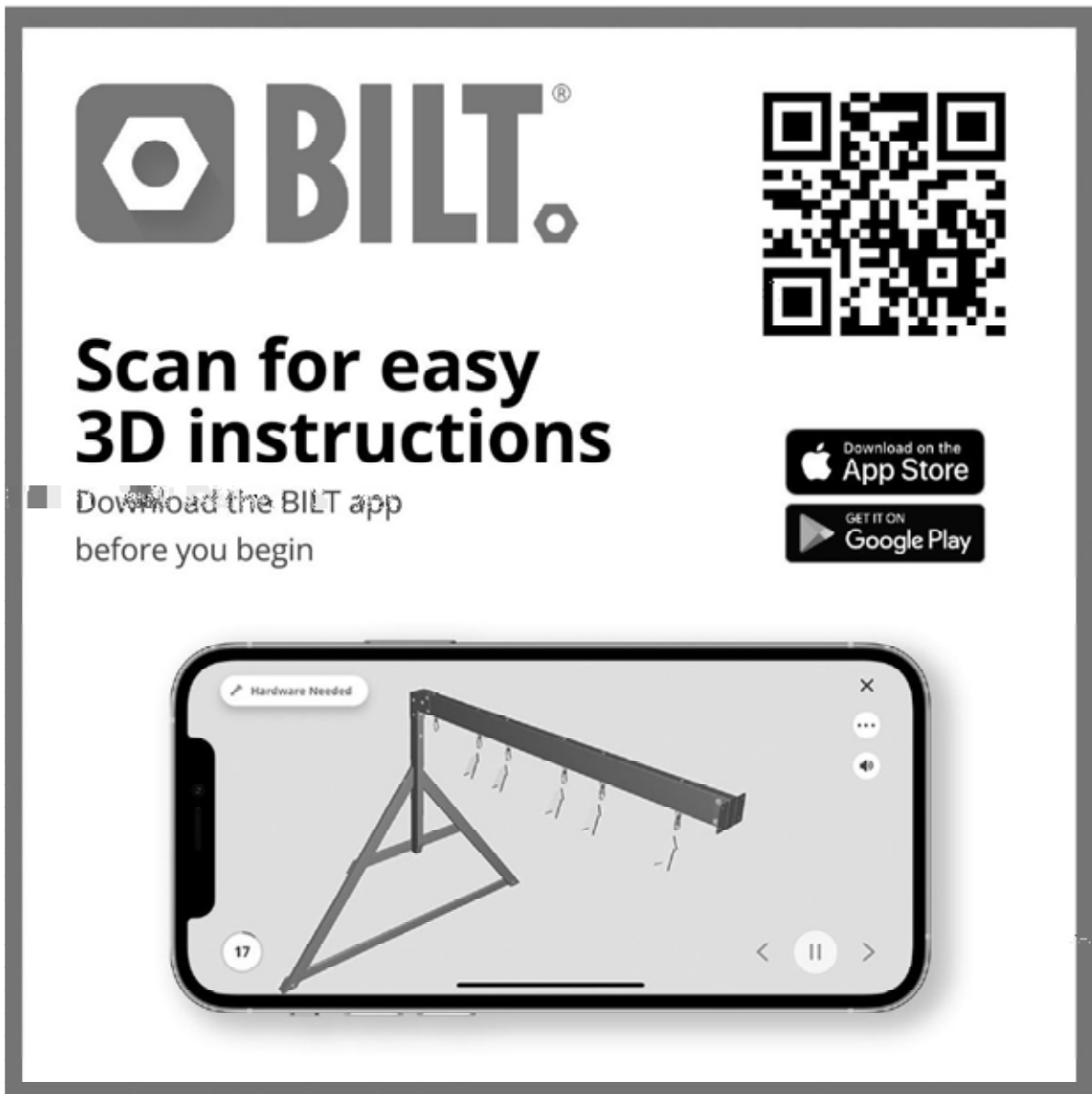


Level 24"

PRE-ASSEMBLY STEP 3 - CHOOSE YOUR ASSEMBLY METHOD

There are several types of assembly instructions available to you.

1. Printed Assembly Manual included with your set
2. BILT APP - 3D interactive instructions
3. Combination of the Printed Manual and BILT APP (Note: Step numbers can differ between the two methods)



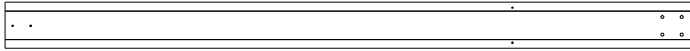
The advertisement features the BILT logo (a hexagon with a dot) and the text "BILT.®" in a large, bold font. To the right is a QR code. Below the logo, the text "Scan for easy 3D instructions" is displayed in a large, bold font. Underneath this, it says "Download the BILT app before you begin". To the right of the text are two buttons: "Download on the App Store" and "GET IT ON Google Play". At the bottom, a smartphone screen displays a 3D assembly instruction for a step labeled "17". The screen shows a 3D model of a structure with a horizontal beam and a triangular base. A "Hardware Needed" button is visible in the top left corner of the app interface. Navigation icons (back, pause, forward) are at the bottom of the screen.

STEP 1 - GAZEBO ASSEMBLY

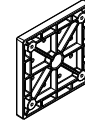
QTY	PART NUMBER	DESCRIPTION
16	H100200	SCREW PFH 8x1-1/2 BLK



P1 POST - W2A03766
(x2) 6"x6"x89 1/2" (152x152x2274)

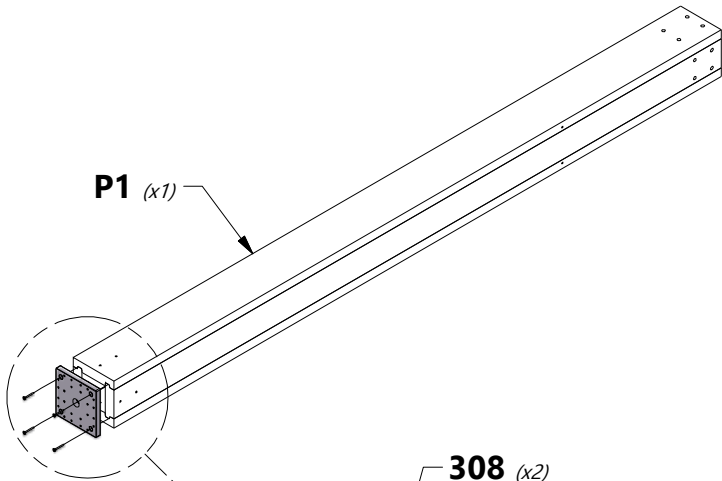


P2 POST - W2A03767
(x2) 6"x6"x89 1/2" (152x152x2274)



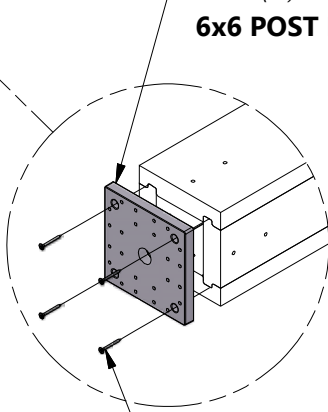
A6P00308
(x4) **6x6 POST FOOT**

COMPLETE THIS STEP TWICE

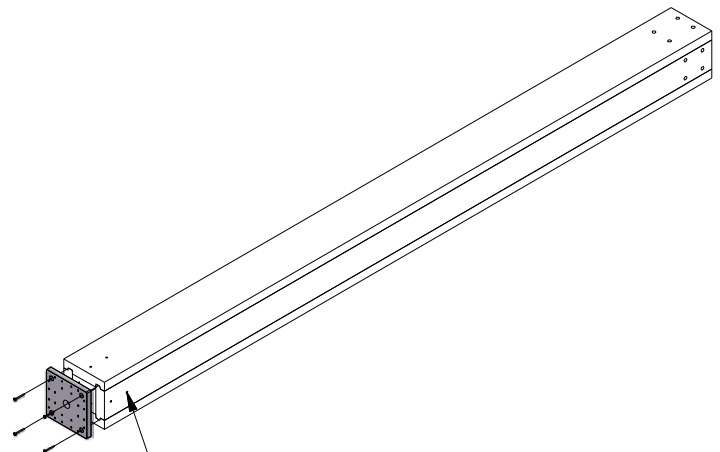


P1 (x1)

308 (x2)
6x6 POST FOOT



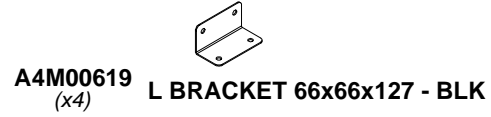
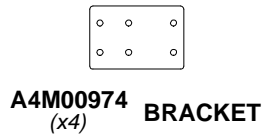
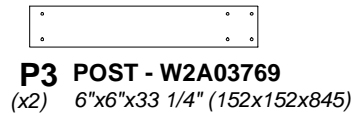
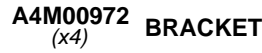
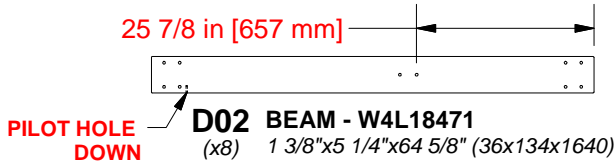
200 (x8)
SCREW - 1 1/2"



P2 (x1)

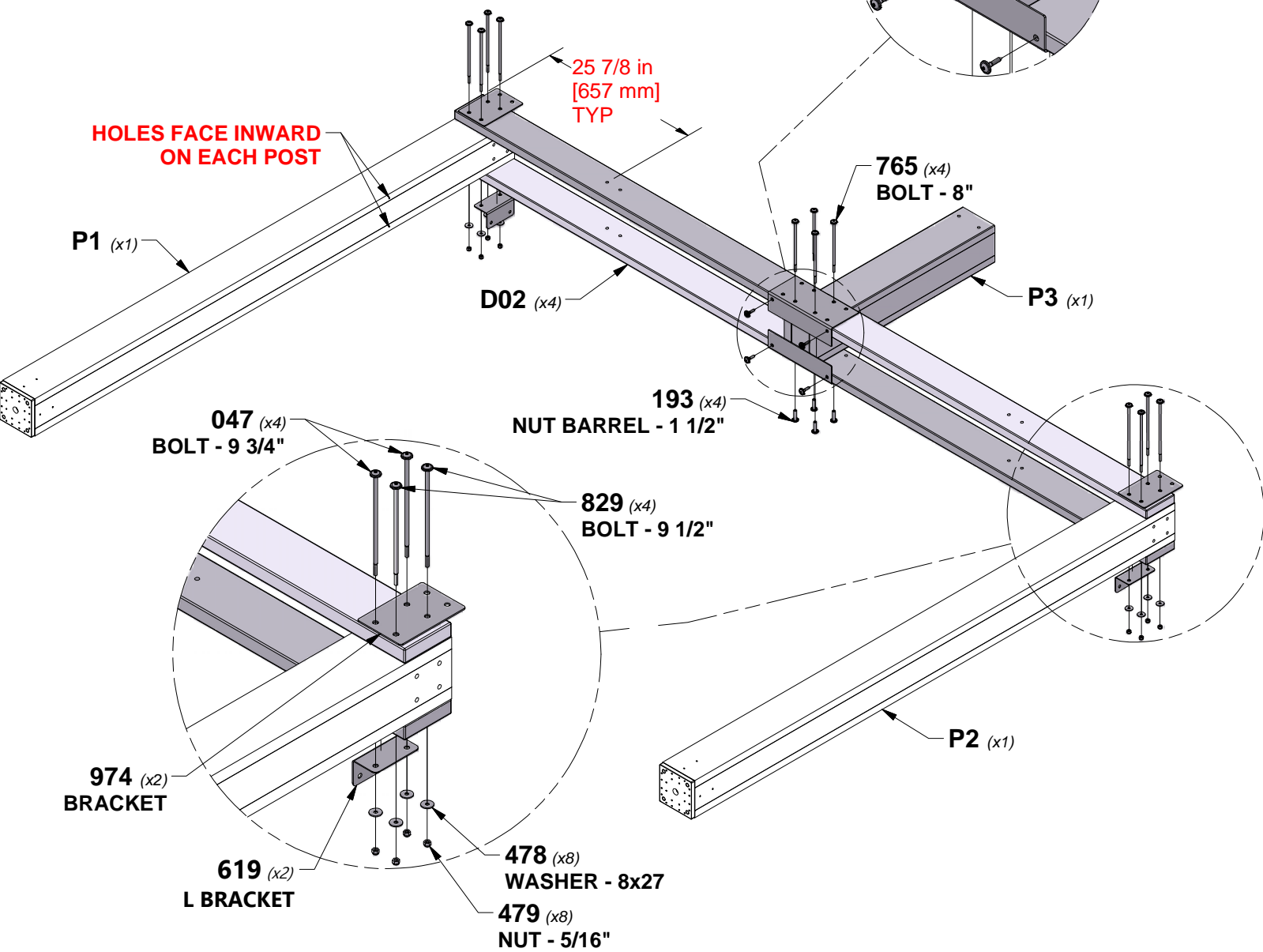
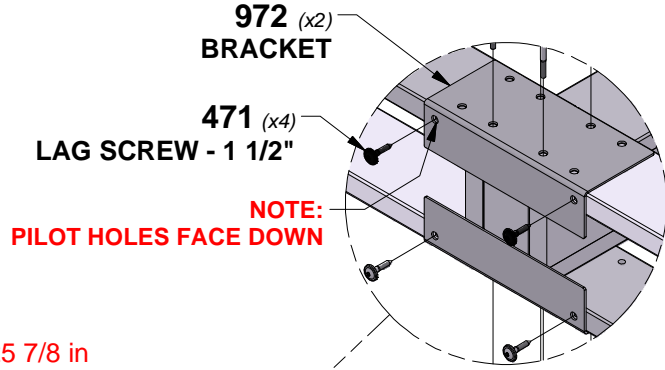
STEP 2 - GAZEBO ASSEMBLY

QTY	PART NUMBER	DESCRIPTION
8	H100193	NUT BARREL WH 5/16x1-1/2 BLK
8	H100471	LAG SCREW WH 5/16x1-1/2 BLK
16	H100478	WASHER FLAT 8x27 BLK
16	H100479	NUT LOCK 5/16 BLK
8	H100765	BOLT WH 5/16x8 BLK
8	H100829	BOLT WH 5/16x9 1/2 BLK
8	H101047	BOLT WH 5/16x9 3/4 BLK



COMPLETE THIS STEP TWICE

TIP:
SAW DUST CAN BE LEFT BEHIND IN BOLTS HOLES.
IF YOU HAVE TROUBLE WITH BOLT ENGAGING, USE
A LONG SCREW DRIVER TO REMOVE THE DEBRIS.



STEP 3 - GAZEBO ASSEMBLY

QTY	PART NUMBER	DESCRIPTION
16	H100195	BOLT WH 5/16x2-3/4 BLK
16	H100198	WASHER LOCK EXT 8x19 BLK
16	H100379	T-NUT 5/16 BLK
8	H100405	WASHER LOCK EXT 6x15 BLK
8	H100564	LAG SCREW WH 1/4x4 BLK



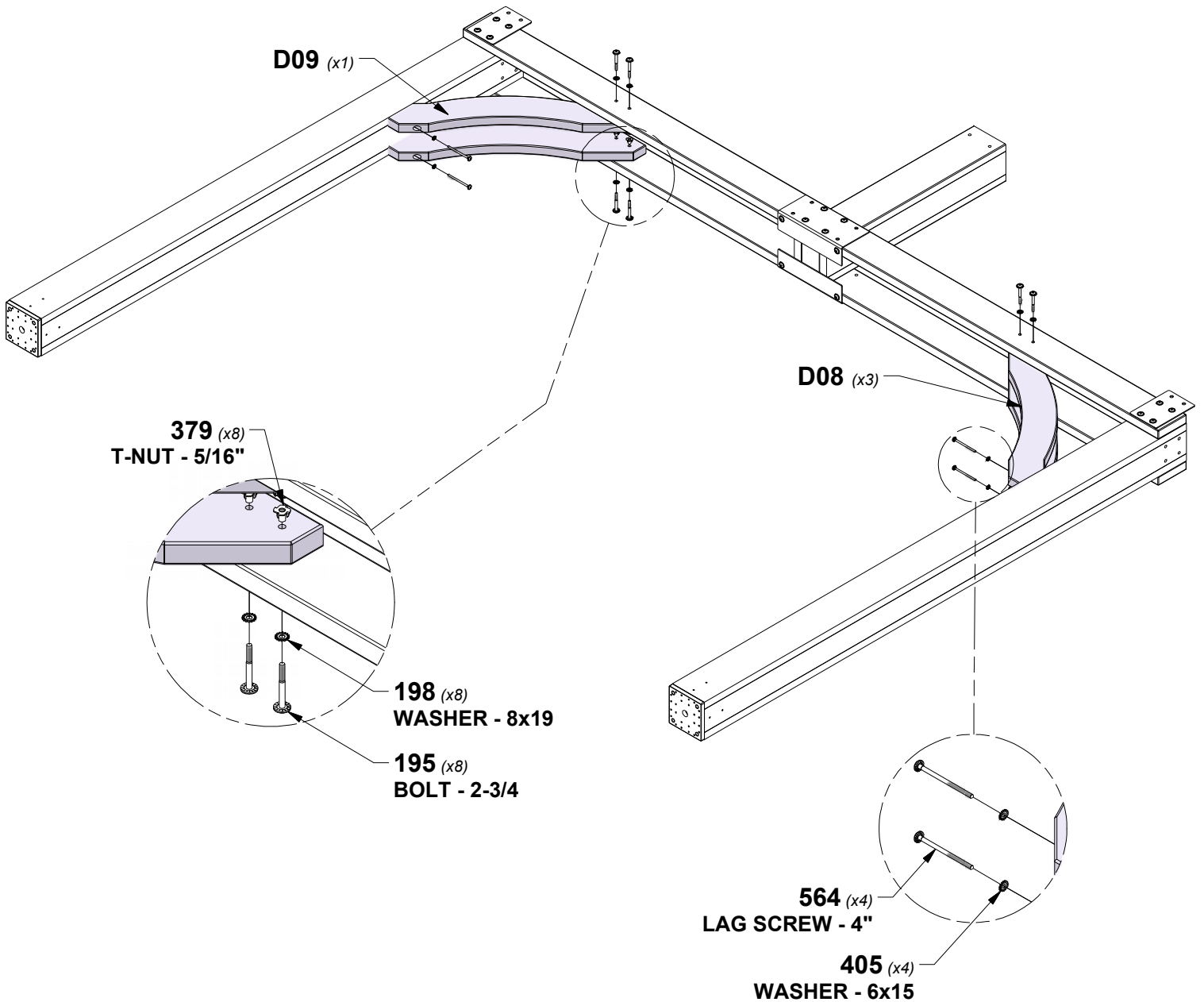
D08 ANGLE BRACE - W4L18474
(x7) 1 3/8"x6 3/8"x33 7/8" (36x163x860)



D09 ANGLE BRACE W/TAG - W2A04059
(x1) 1 3/8"x6 3/8"x33 7/8" (36x163x860)

TIP:
INSTALL T-NUTS IN WOOD FIRST

COMPLETE THIS STEP TWICE
NOTE D09 WILL BE USED ONLY ONCE



STEP 4A - GAZEBO ASSEMBLY

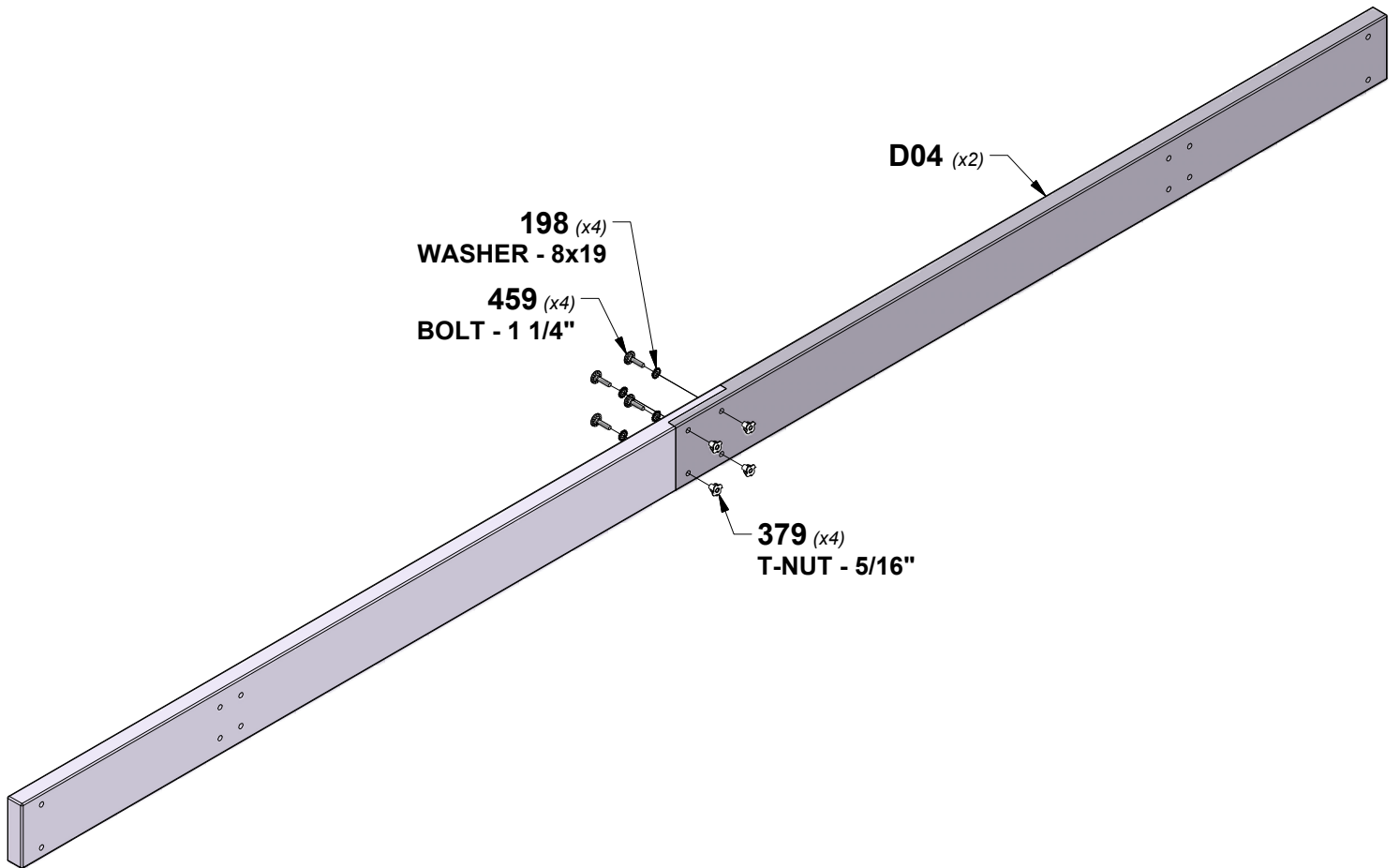
QTY	PART NUMBER	DESCRIPTION
8	H100198	WASHER LOCK EXT 8x19 BLK
8	H100379	T-NUT 5/16 BLK
8	H100459	BOLT WH 5/16x1 1/4 BLK



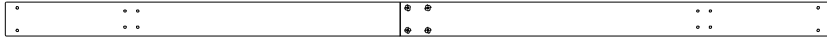
D04 BEAM - W4L18478
(x4) 1 3/8"x5 1/4"x67 1/4" (36x134x1707)

TIP:
INSTALL T-NUTS IN WOOD FIRST

COMPLETE THIS STEP TWICE



STEP 4B - GAZEBO ASSEMBLY



(x2) BEAM ASSEMBLY

QTY	PART NUMBER	DESCRIPTION
8	H100198	WASHER LOCK EXT 8x19 BLK
8	H100205	BOLT WH 5/16x2-1/4 BLK
8	H100478	WASHER FLAT 8x27 BLK
8	H100479	NUT LOCK 5/16 BLK

TIP:
INSTALL T-NUTS IN WOOD FIRST

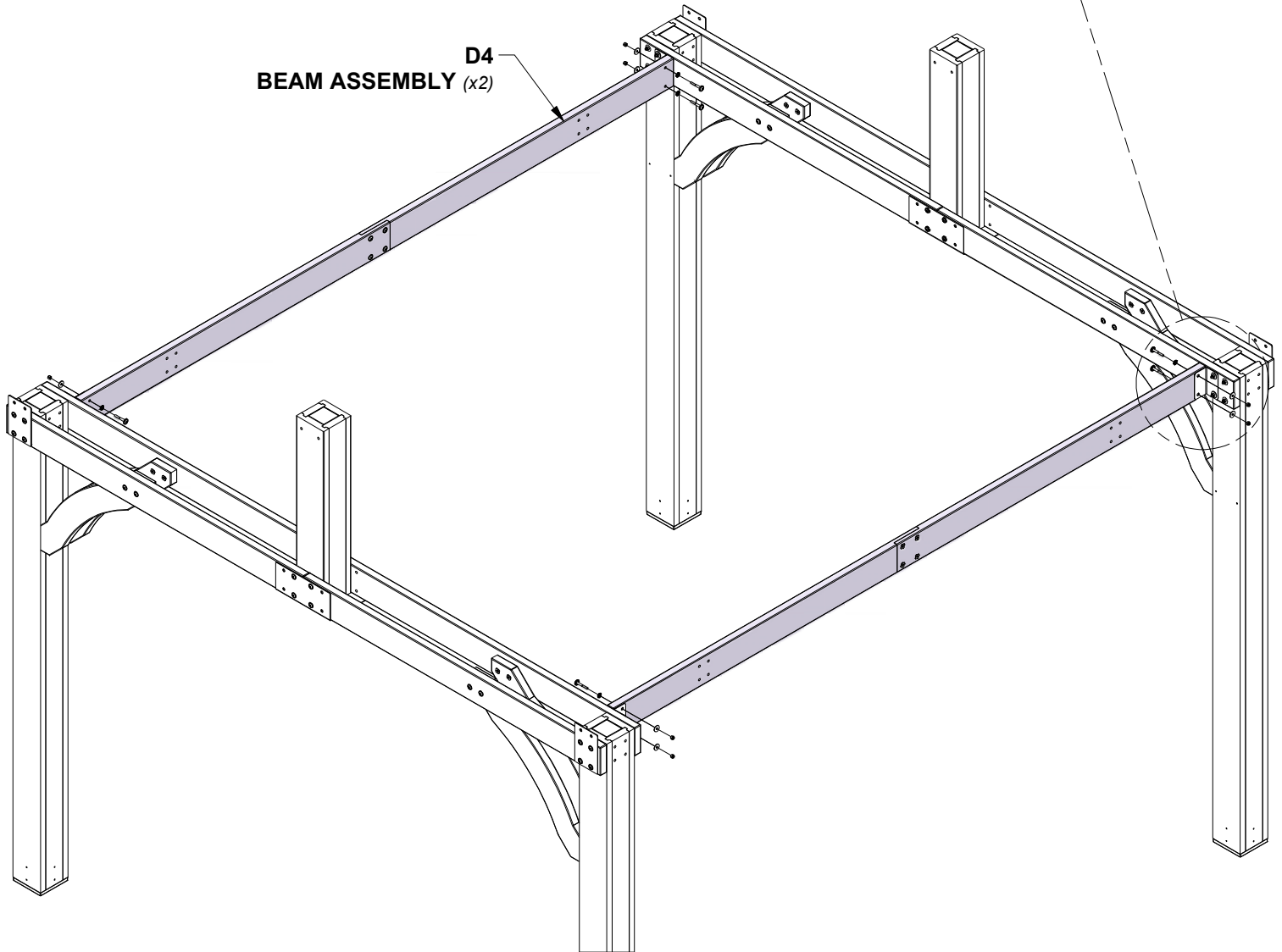
198 (x8)
WASHER - 8x19

205 (x8)
BOLT - 2 1/4"

478 (x8)
WASHER - 8x27

479 (x8)
NUT - 5/16"

D4
BEAM ASSEMBLY (x2)

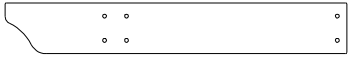


STEP 5A - GAZEBO ASSEMBLY

QTY	PART NUMBER	DESCRIPTION
16	H100195	BOLT WH 5/16x2-3/4 BLK
16	H100198	WASHER LOCK EXT 8x19 BLK
16	H100379	T-NUT 5/16 BLK



D01 BEAM - W4L18477
(x2) 1 3/8"x5 1/4"x89 1/2" (36x134x2274)

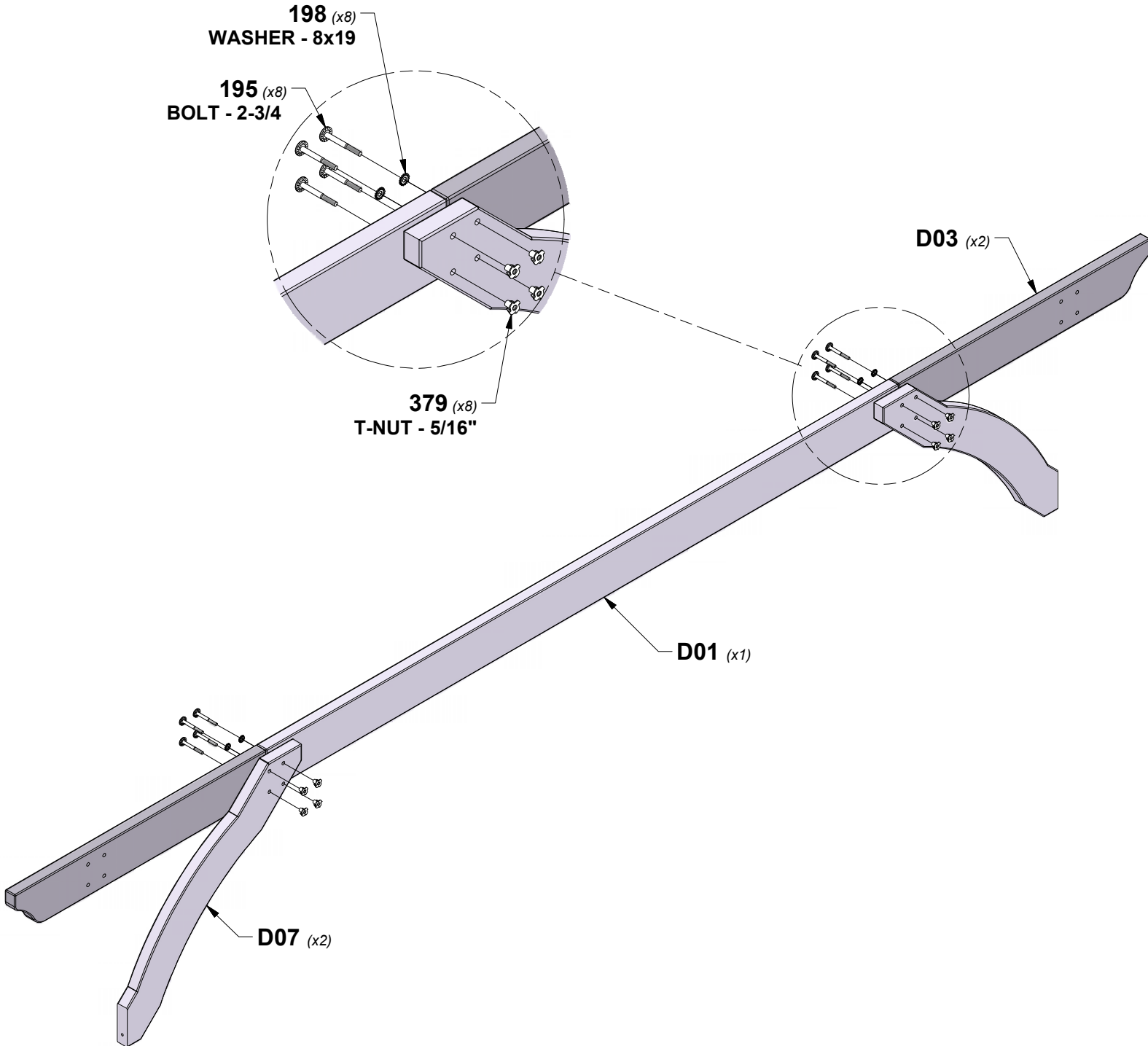


D03 BEAM - W4L17992
(x4) 1 3/8"x5 1/4"x35 5/8" (36x134x904)



D07 ANGLE BRACE - W4L18473
(x4) 1 3/8"x6 3/8"x35" (36x163x888)

TIP:
INSTALL T-NUTS IN WOOD FIRST
COMPLETE THIS STEP TWICE



STEP 5B - GAZEBO ASSEMBLY

QTY	PART NUMBER	DESCRIPTION
16	H100379	T-NUT 5/16 BLK
4	H100405	WASHER LOCK EXT 6x15 BLK
4	H100564	LAG SCREW WH 1/4x4 BLK
16	H101046	BOLT WH 5/16x7-1/2 BLK



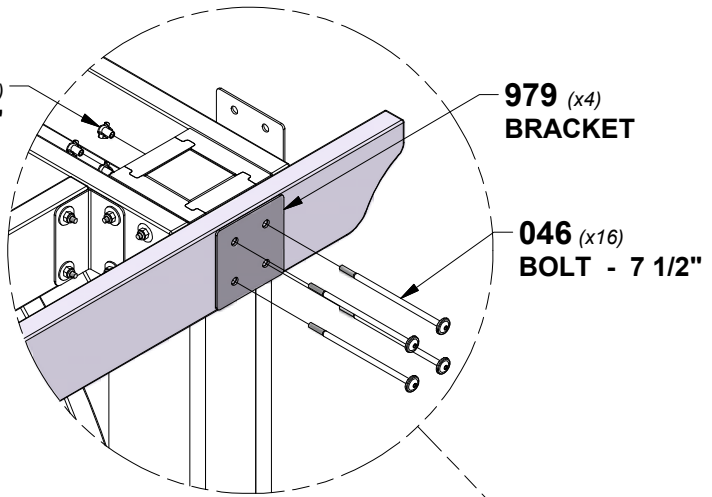
(x2) BEAM ASSEMBLY



A4M00979 (x4) BRACKET

TIP:
INSTALL T-NUTS IN WOOD FIRST

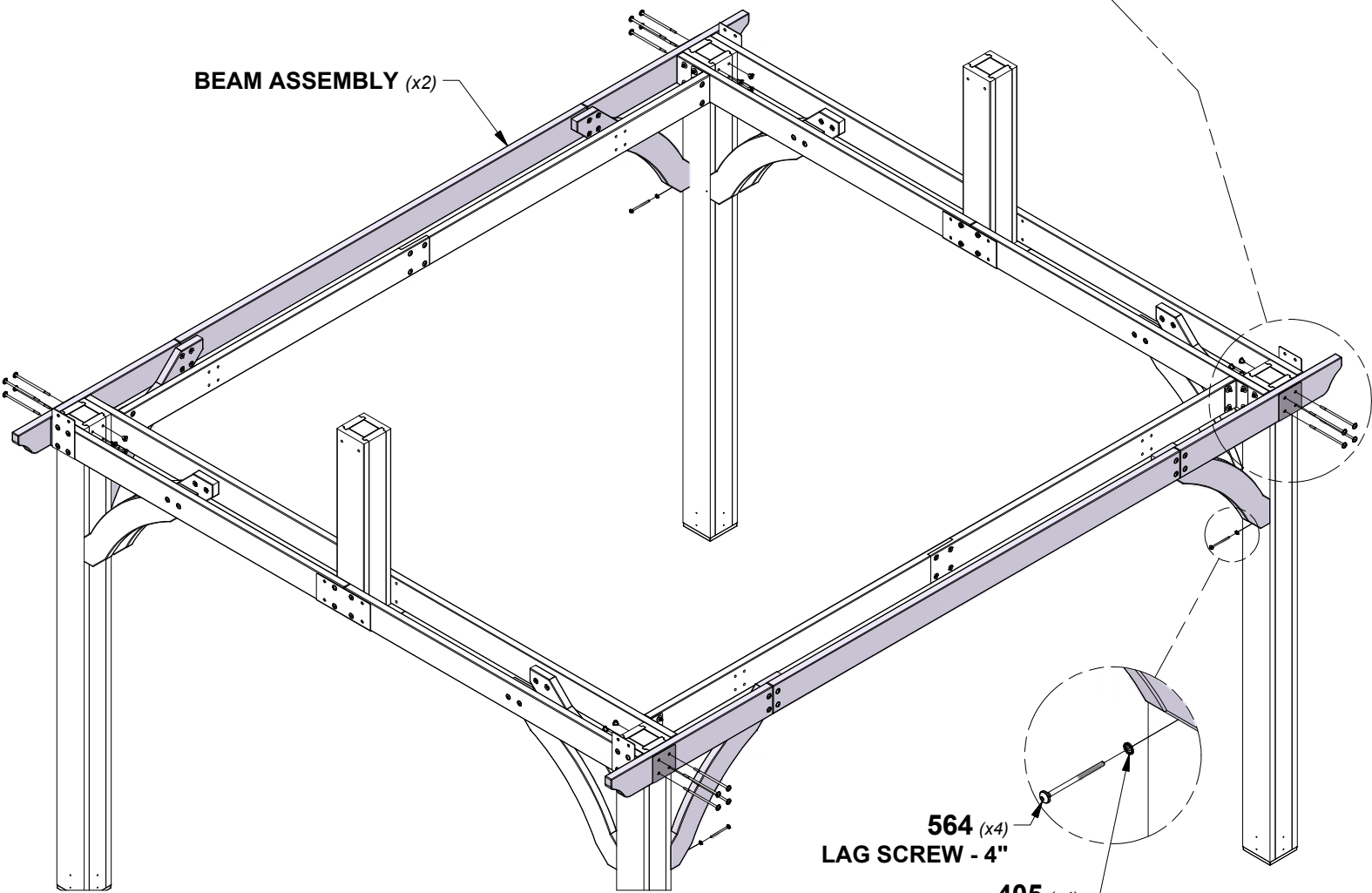
TIP:
ALIGN HOLES IN PLATE WITH HOLES
IN BEAM ASSEMBLY AND MOUNT.



379 (x16)
T-NUT - 5/16"

979 (x4)
BRACKET

046 (x16)
BOLT - 7 1/2"



BEAM ASSEMBLY (x2)

564 (x4)
LAG SCREW - 4"

405 (x4)
WASHER - 6x15

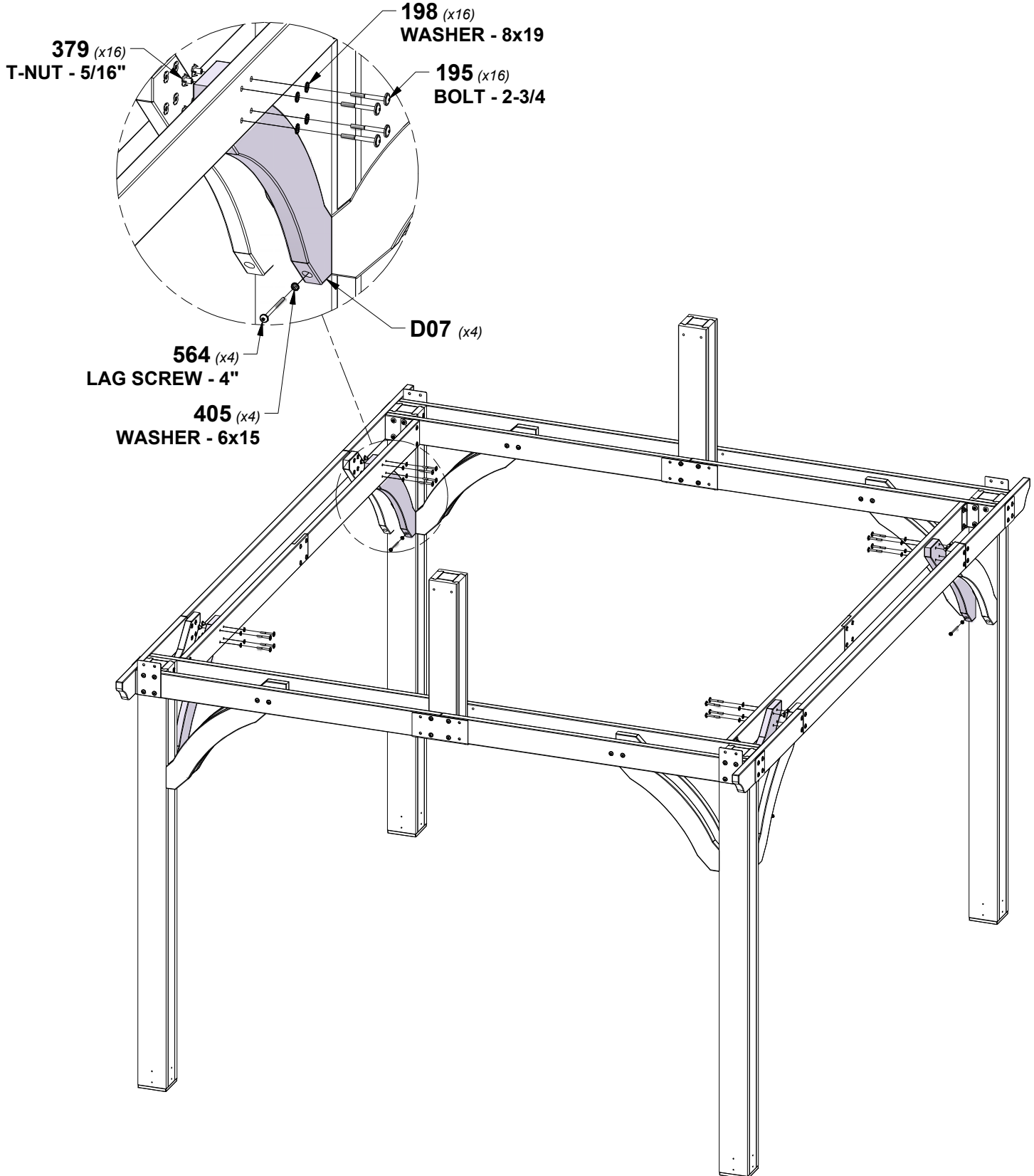
STEP 6 - GAZEBO ASSEMBLY



D07 ANGLE BRACE - W4L18473
 (x4) 1 3/8"x6 3/8"x35" (36x163x888)

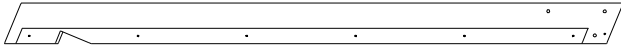
QTY	PART NUMBER	DESCRIPTION
16	H100195	BOLT WH 5/16x2-3/4 BLK
16	H100198	WASHER LOCK EXT 8x19 BLK
16	H100379	T-NUT 5/16 BLK
4	H100405	WASHER LOCK EXT 6x15 BLK
4	H100564	LAG SCREW WH 1/4x4 BLK

TIP:
INSTALL T-NUTS IN WOOD FIRST



STEP 7A - GAZEBO ASSEMBLY

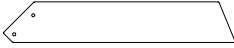
QTY	PART NUMBER	DESCRIPTION
4	H100201	SCREW PFH 8x2-1/2 BLK
8	H100379	T-NUT 5/16 BLK
4	H100405	WASHER LOCK EXT 6x15 BLK
8	H100416	BOLT WH 5/16x3 BLK
8	H100471	LAG SCREW WH 5/16x1-1/2 BLK
4	H100792	LAG SCREW WH 1/4x3 BLK



RP1 END RAFTER - W2A03768
(x2) 2 13/16"x5 1/4"x80 5/8" (72x134x2048)



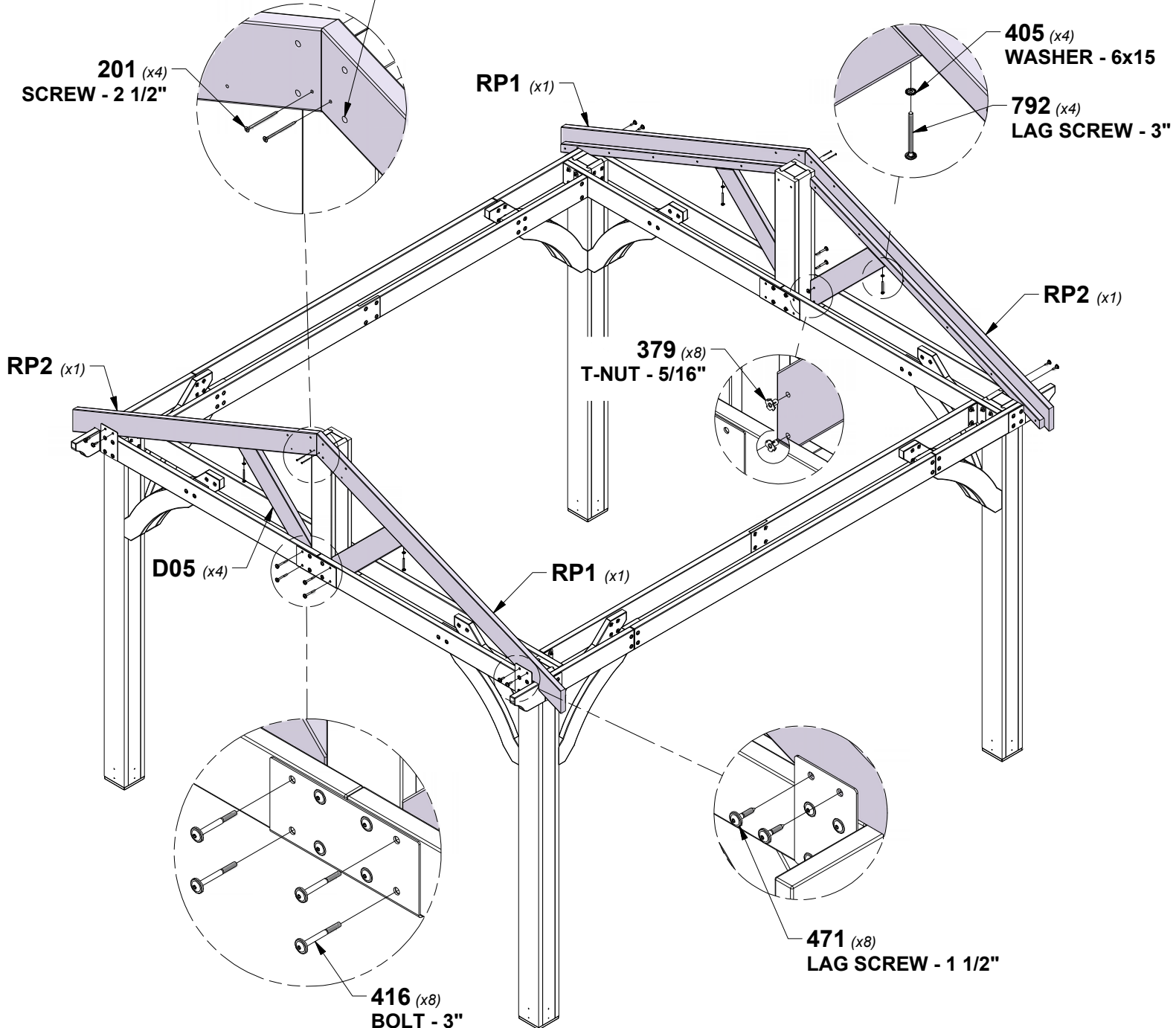
RP2 END RAFTER - W2A03770
(x2) 2 13/16"x5 1/4"x80 5/8" (72x134x2048)



D05 ANGLE BRACE - W4L17997
(x4) 1 3/8"x5 1/4"x30 1/4" (36x134x769)

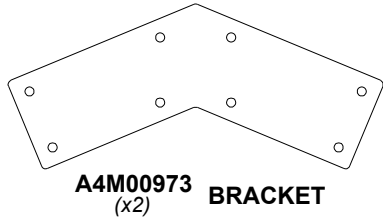
TIP:
INSTALL T-NUTS IN WOOD FIRST

ALIGN PILOT HOLES WITH POST HOLES BY TEMPORARILY INSTALLING THE LONG 9-1/2" BOLTS H100829 BEFORE INSTALLING SCREWS.

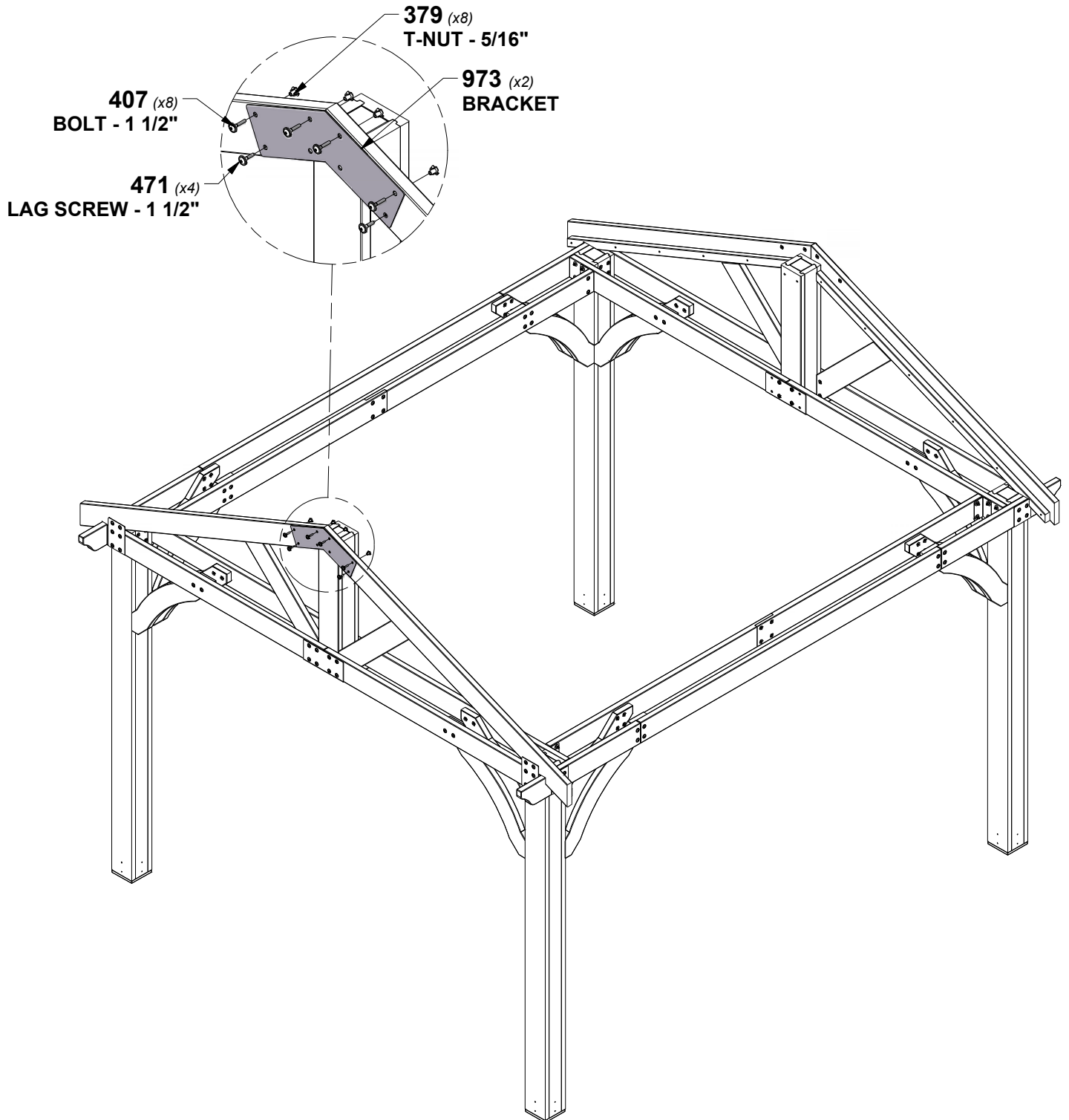


STEP 7B - GAZEBO ASSEMBLY

QTY	PART NUMBER	DESCRIPTION
8	H100379	T-NUT 5/16 BLK
8	H100407	BOLT WH 5/16x1 1/2 BLK
4	H100471	LAG SCREW WH 5/16x1-1/2 BLK



TIP:
INSTALL T-NUTS IN WOOD FIRST



STEP 8 - GAZEBO ASSEMBLY

QTY	PART NUMBER	DESCRIPTION
12	H100200	SCREW PFH 8x1-1/2 BLK
36	H100391	SCREW PFH 8x2 BLK

E01 OUTSIDE RAFTER - W4L17999
 (x4) 1 3/8"x3 3/8"x77 3/8" (36x86x1965)

E02 RAFTER - W4L17998
 (x8) 1 3/8"x3 3/8"x77 3/8" (36x86x1965)

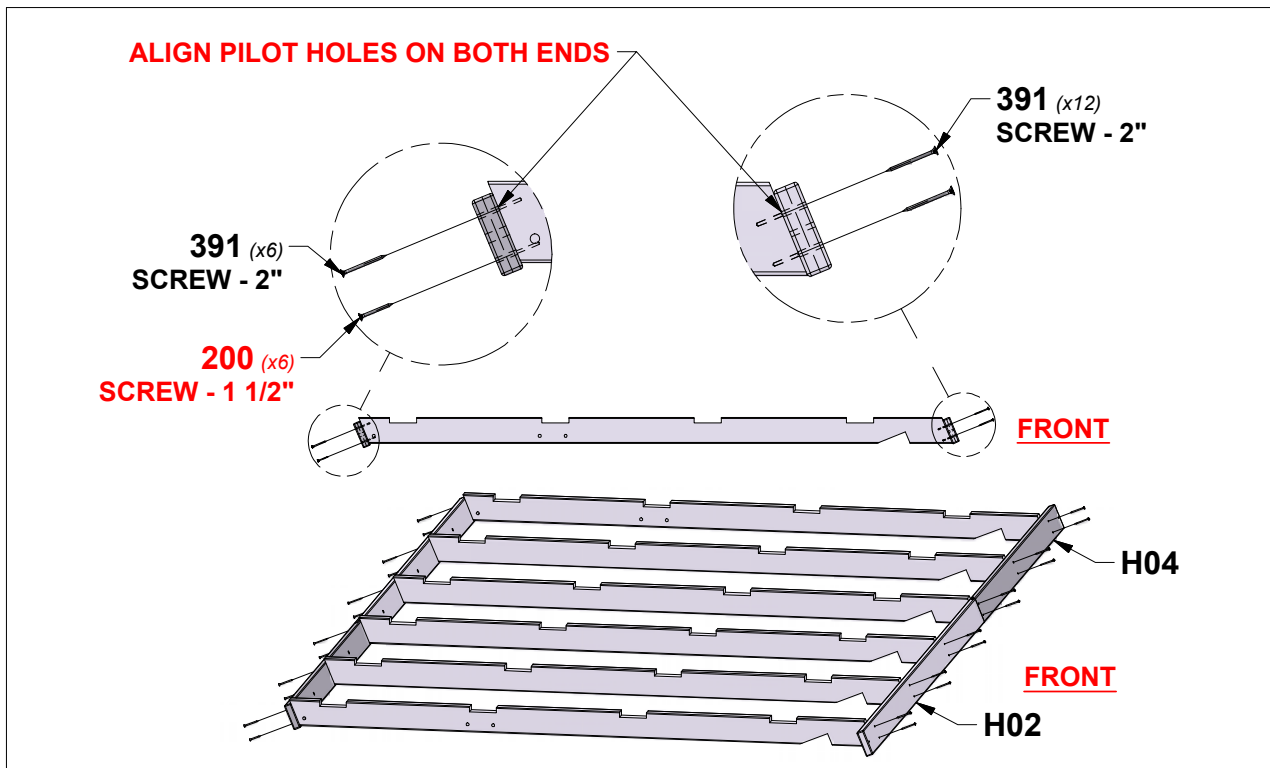
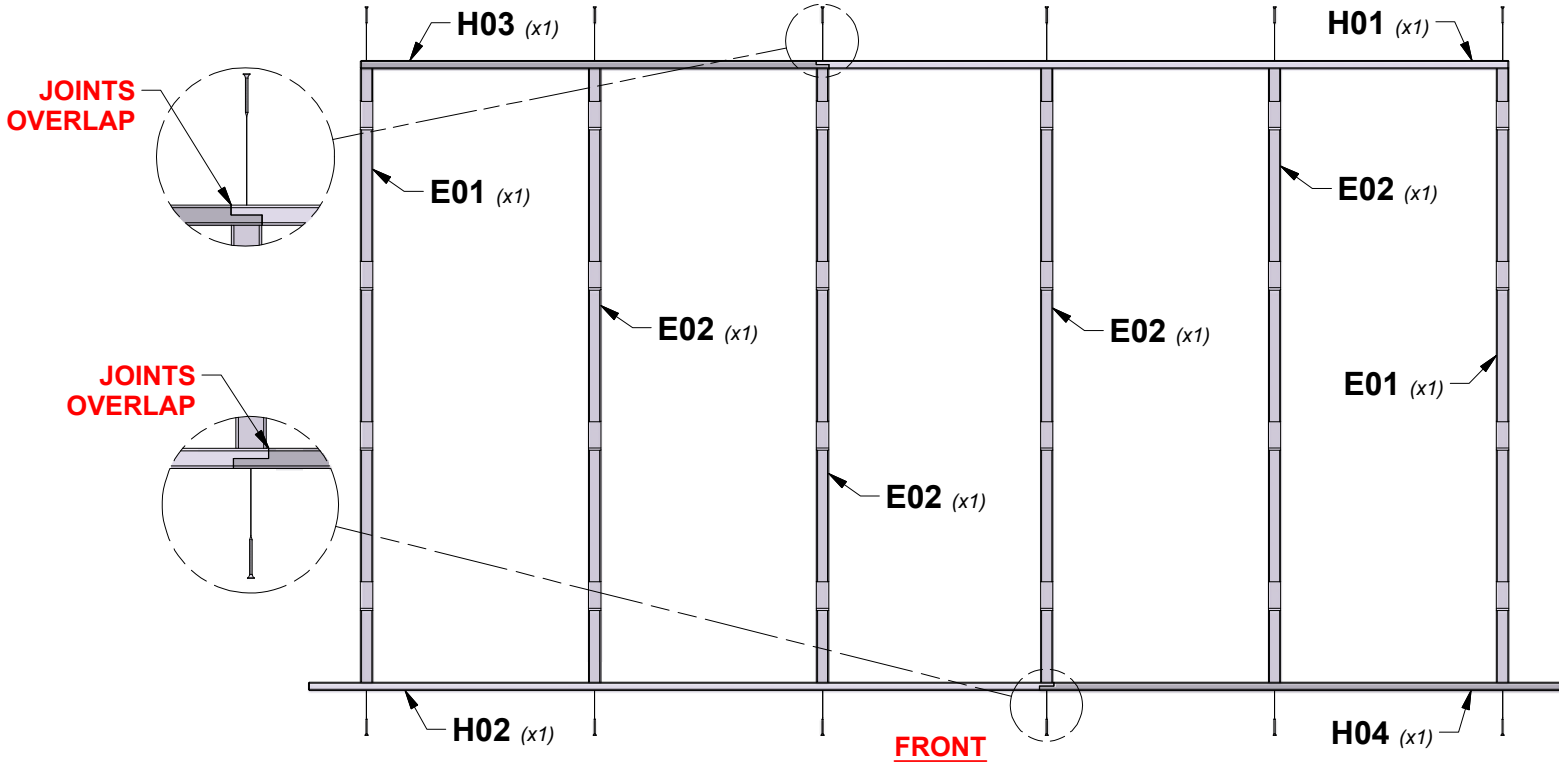
H03 RAFTER - W4L18483
 (x2) 1"x3 3/8"x53 11/16" (24x86x1364)

H04 FASCIA - W4L18484
 (x2) 1"x3 3/8"x59 3/4" (24x86x1518)

H01 RAFTER - W4L18481
 (x2) 1"x3 3/8"x79 3/8" (24x86x2016)

H02 FASCIA - W4L18482
 (x2) 1"x3 3/8"x85 3/8" (24x86x2170)

COMPLETE THIS STEP TWICE



STEP 9 - GAZEBO ASSEMBLY

QTY	PART NUMBER	DESCRIPTION
16	H100198	WASHER LOCK EXT 8x19 BLK
16	H100379	T-NUT 5/16 BLK
48	H100391	SCREW PFH 8x2 BLK
16	H100459	BOLT WH 5/16x1 1/4 BLK

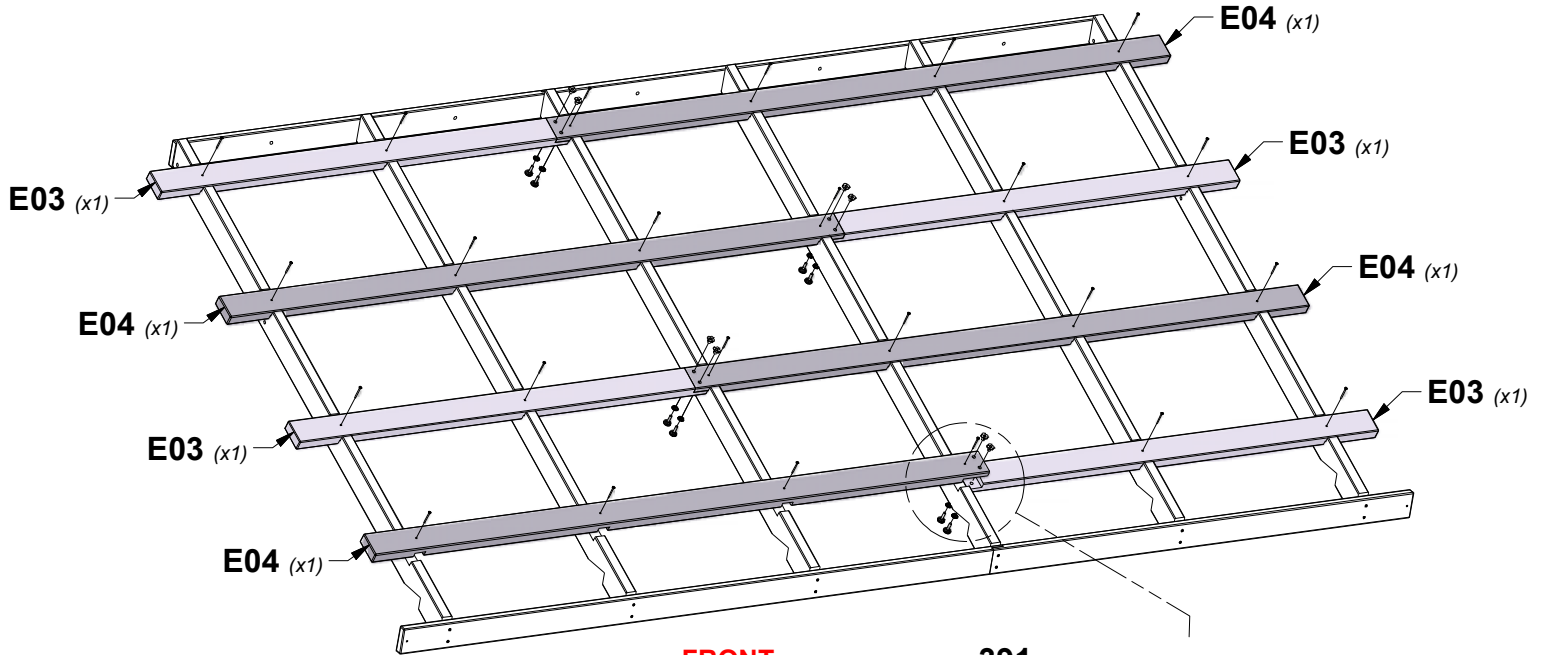
E04 SHEATHING BOARD - W4L18480
(x8) 1 3/8"x3 3/8"x87 1/4" (36x86x2217)



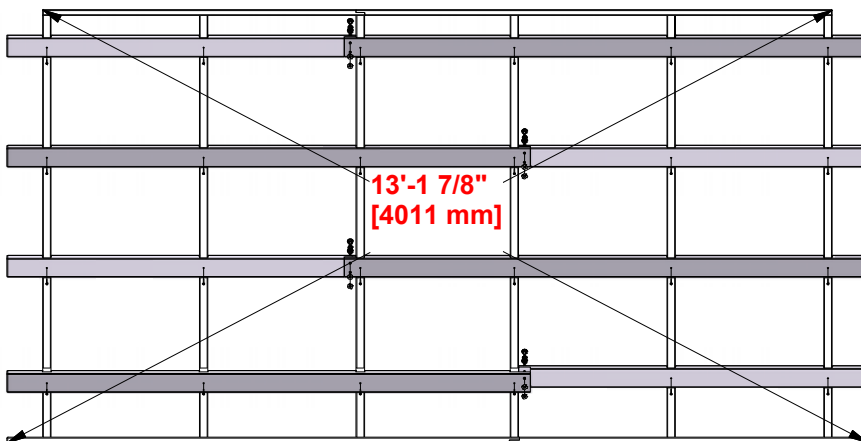
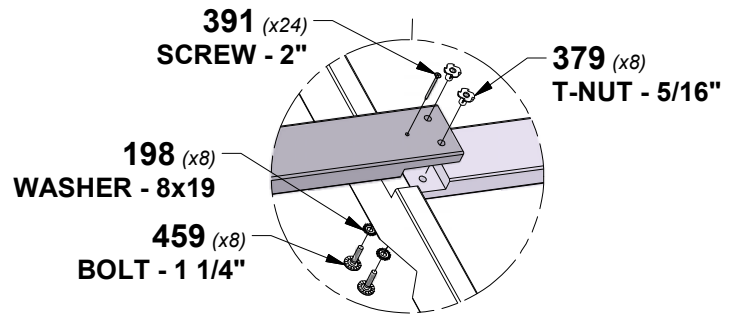
E03 SHEATHING BOARD - W4L18479
(x8) 1 3/8"x3 3/8"x58 1/4" (36x86x1478)

TIP:
INSTALL T-NUTS IN WOOD FIRST
COMPLETE THIS STEP TWICE

SQUARE EACH ROOF PANEL.
MEASURE FROM CORNER TO CORNER AS SHOWN AND ENSURE THE
MEASUREMENT IS THE SAME IN EACH DIRECTION. THEN INSTALL THE
E3 & E4 BOARDS AS SHOWN.



FRONT



FRONT

STEP 10 - GAZEBO ASSEMBLY

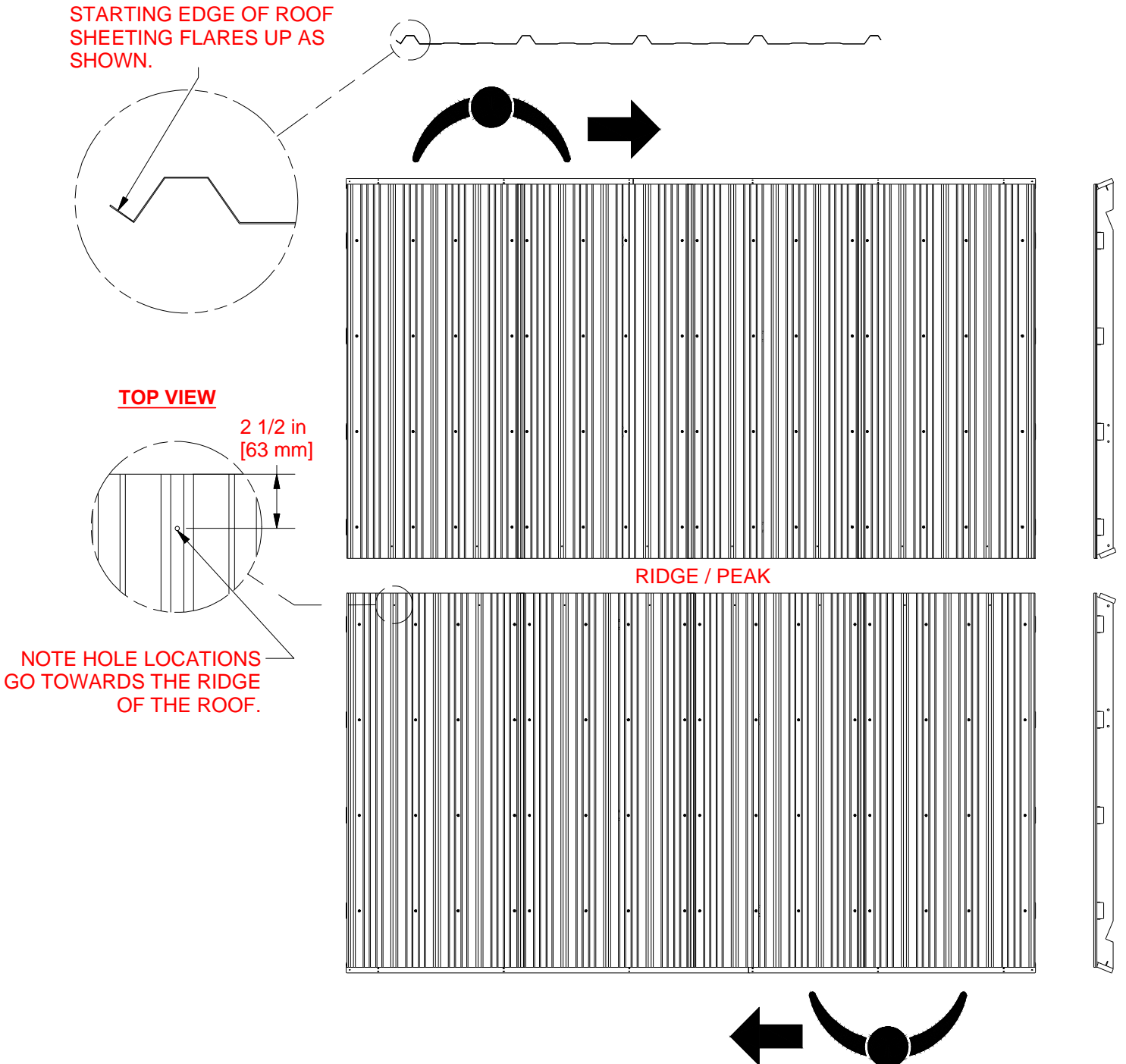
ROOF PREPARATION

USE THIS PAGE TO FAMILIARIZE YOURSELF WITH THE ROOF PANEL & ASSIST YOU IN THE COMING STEPS.

WARNING: GLOVES SHOULD BE WORN WHEN HANDLING ROOF PANELS; EDGES ARE SHARP.

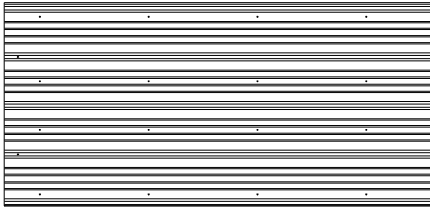
TIPS:

- Note the pre-drilled holes on the top end of each sheet shown below. These holes will always go towards the ridge of the roof and will be used to install the ridge cap in a later step.
- Assemble each roof panel by starting on the right side and working toward the left as shown.
- Carefully remove protective blue film from panels.
- Position your roof panels on the ground so they mirror each other as shown.

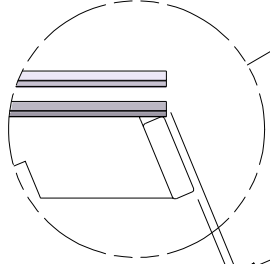
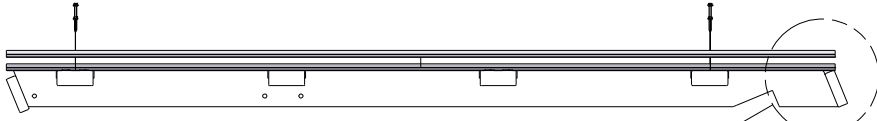


STEP 11 - GAZEBO ASSEMBLY

QTY	PART NUMBER	DESCRIPTION
8	H100760	1-1/4 WOODGRIP SCREW

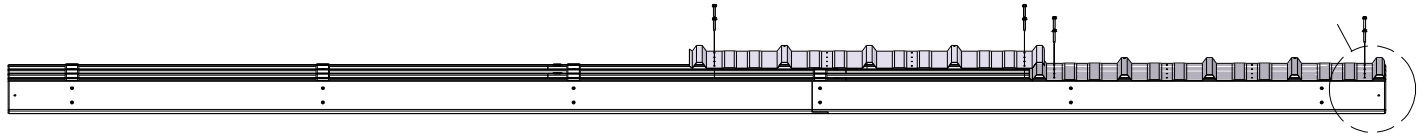
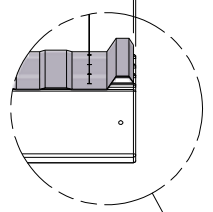


A4M01125
(x2) **29 GA STEEL SHEETING**



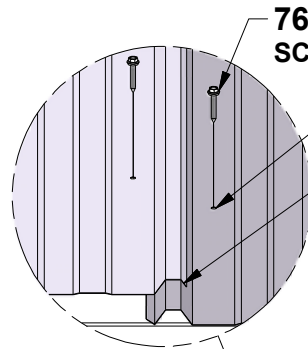
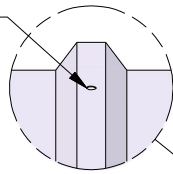
5/16 in
[8 mm]

1/8 in
[3 mm]
HOLD SHEETING INSIDE OF FRAME



MAKE SURE YOUR ROOF PANEL IS SQUARE BEFORE MOVING ON.

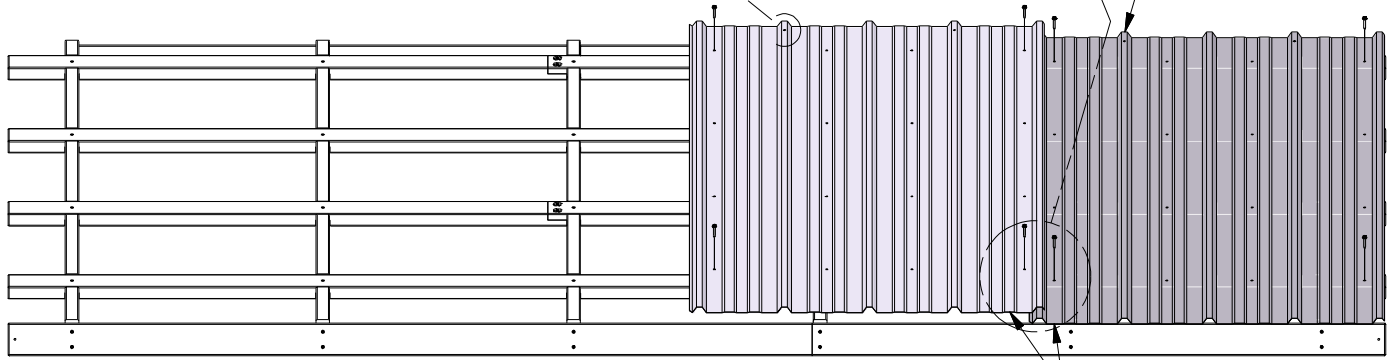
NOTE THE TWO RIDGE CAP HOLES IN EACH SHEET & THEIR ORIENTATION



760 (x8)
SCREW - 1 1/4"

NOTE THRU HOLES
NOTE RIB OVERLAP

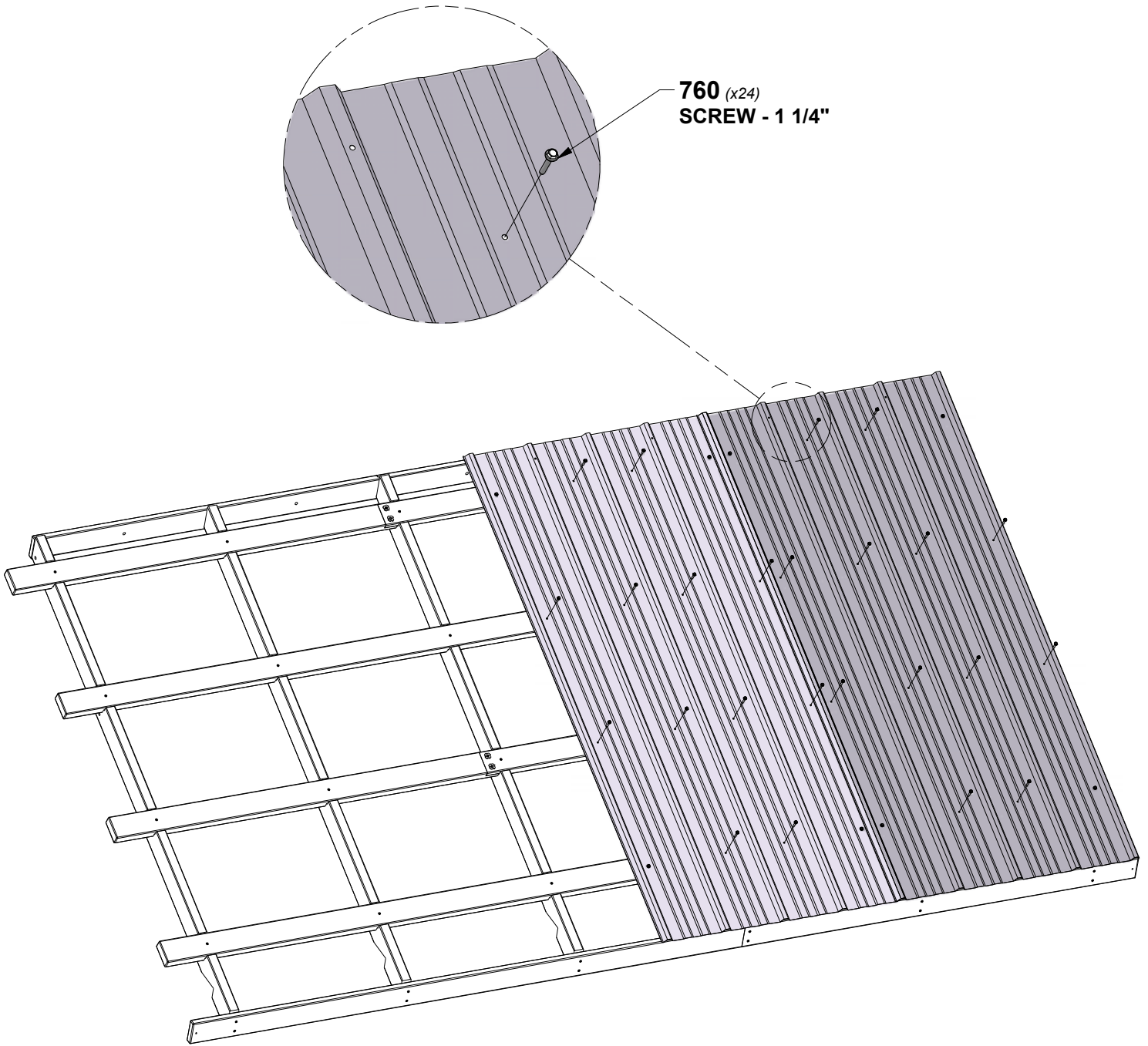
125 (x2)
29 GA STEEL SHEETING



FLUSH SHEETING

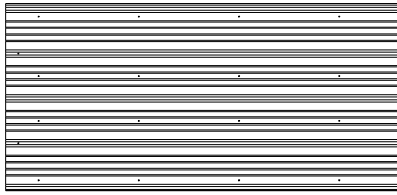
STEP 12 - GAZEBO ASSEMBLY

QTY	PART NUMBER	DESCRIPTION
24	H100760	1-1/4 WOODGRIP SCREW

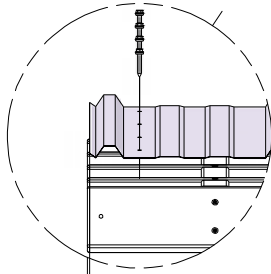
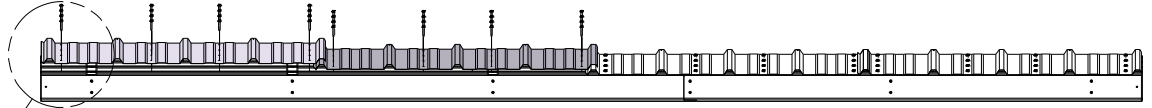


STEP 13 - GAZEBO ASSEMBLY

QTY	PART NUMBER	DESCRIPTION
32	H100760	1-1/4 WOODGRIP SCREW



A4M01125
(x2) **29 GA STEEL SHEETING**



1/8 in
[3 mm]

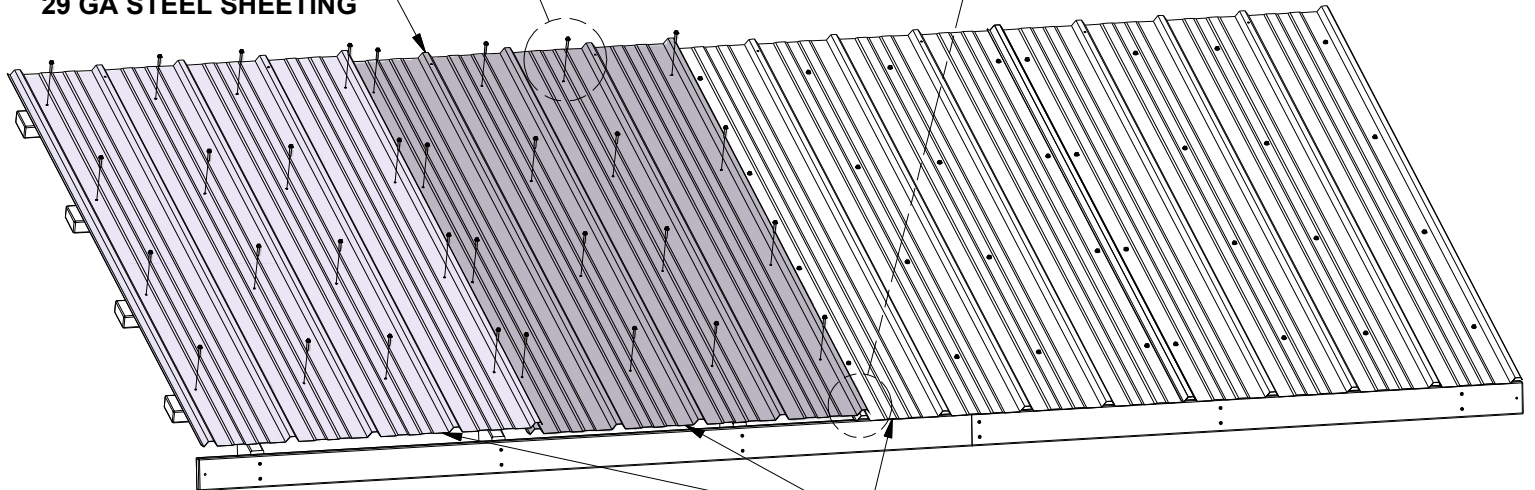
HOLD SHEETING TO INSIDE OF FRAME

760 (x32)
SCREW - 1 1/4"

NOTE THRU HOLES

NOTE RIB OVERLAP

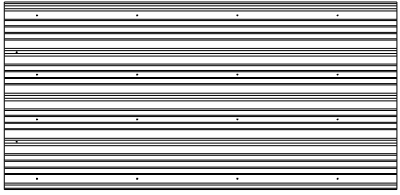
125 (x2)
29 GA STEEL SHEETING



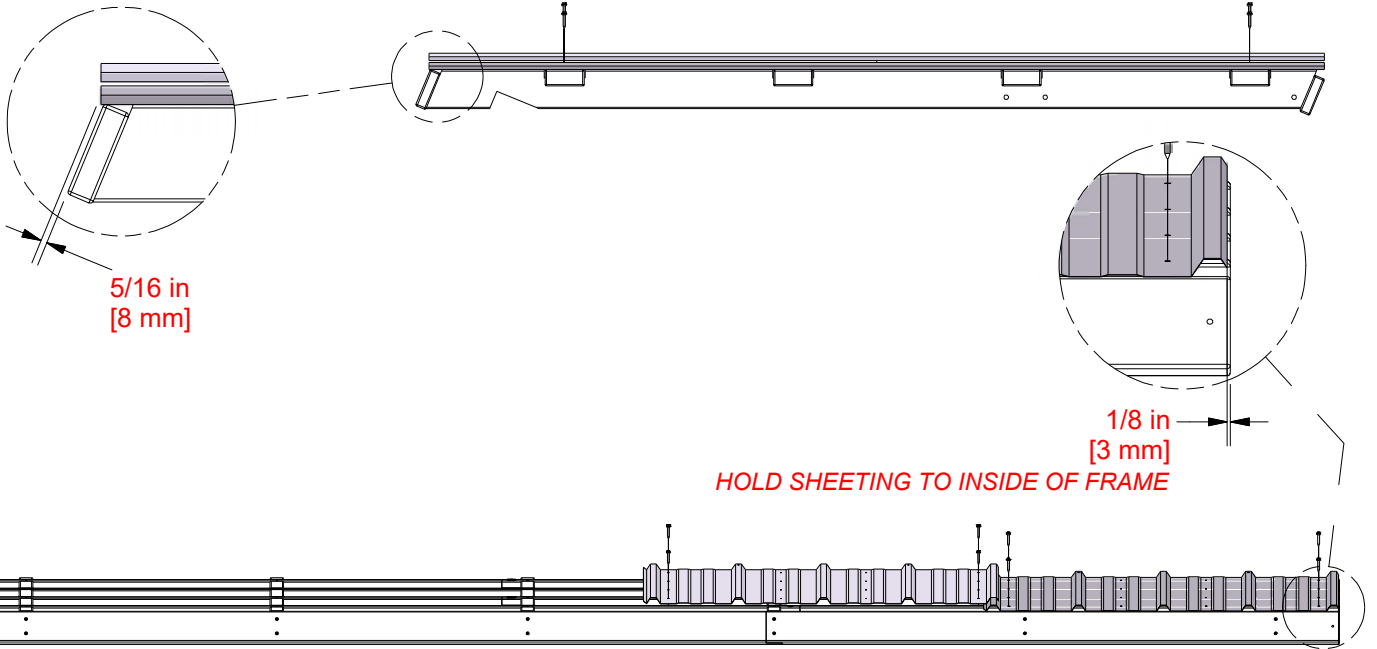
FLUSH SHEETING

STEP 14 - GAZEBO ASSEMBLY

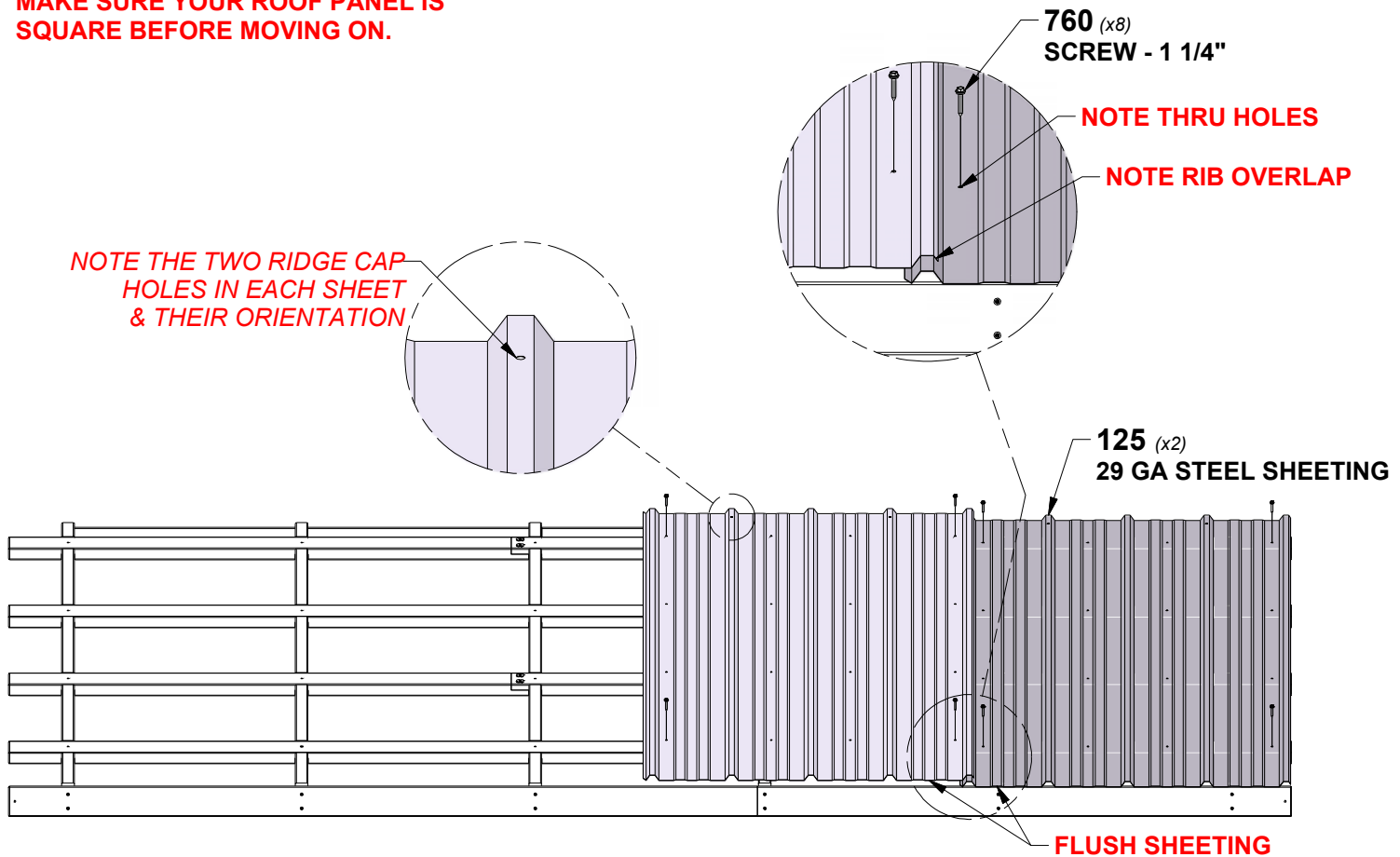
QTY	PART NUMBER	DESCRIPTION
8	H100760	1-1/4 WOODGRIP SCREW



A4M01125
(x2) **29 GA STEEL SHEETING**

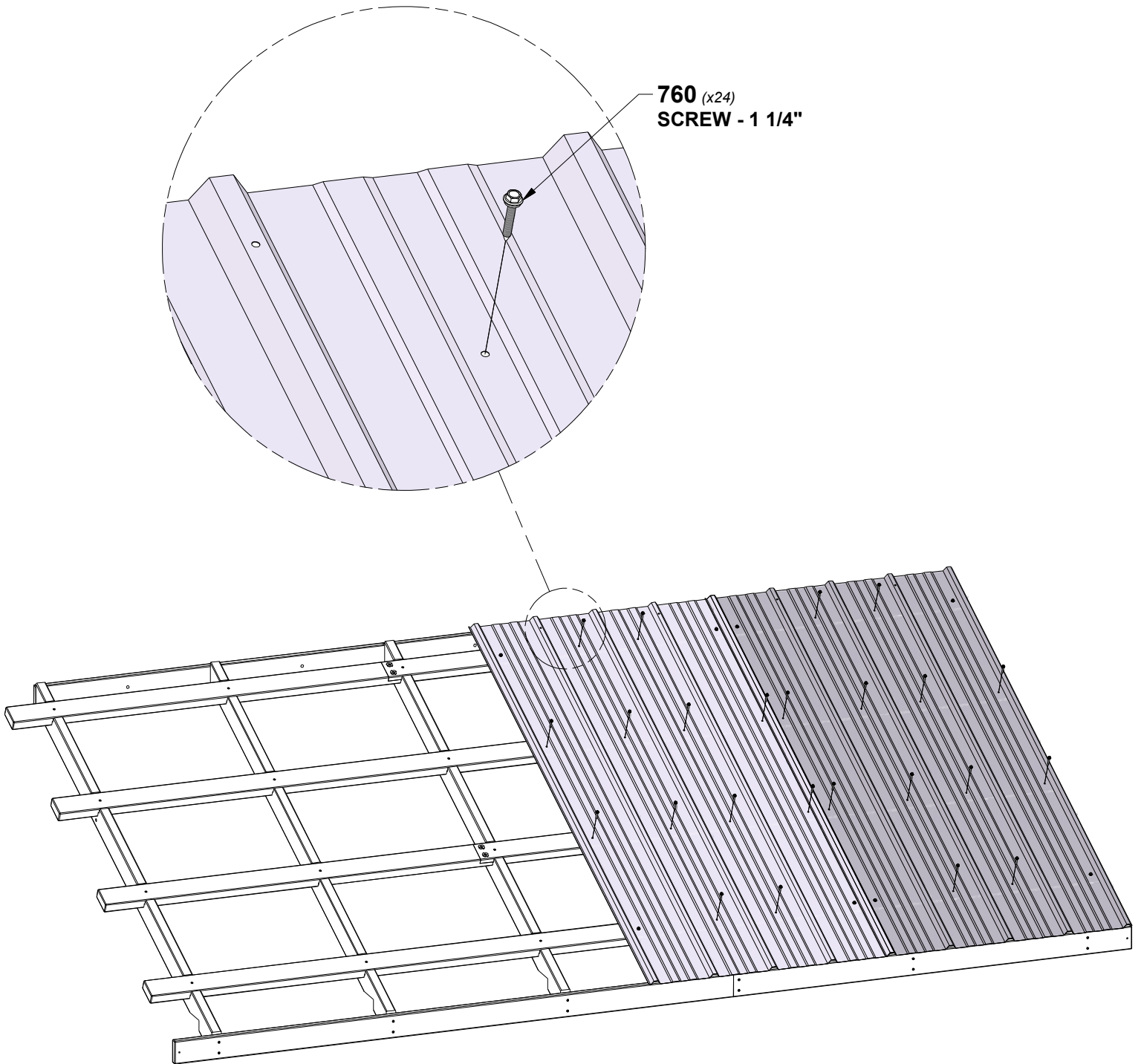


MAKE SURE YOUR ROOF PANEL IS SQUARE BEFORE MOVING ON.



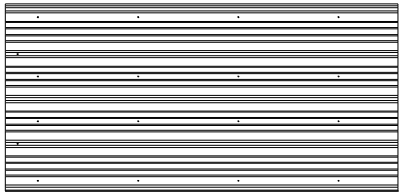
STEP 15 - GAZEBO ASSEMBLY

QTY	PART NUMBER	DESCRIPTION
24	H100760	1-1/4 WOODGRIP SCREW

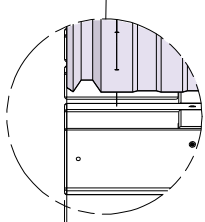
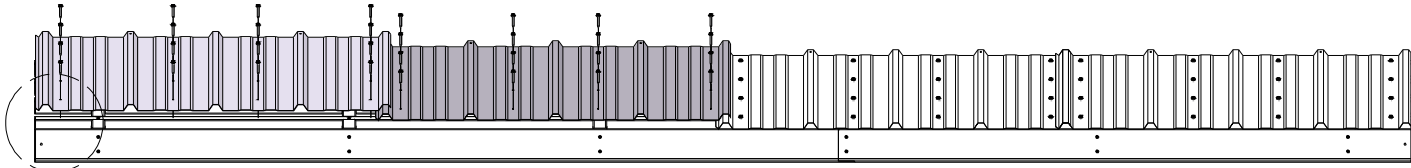


STEP 16 - GAZEBO ASSEMBLY

QTY	PART NUMBER	DESCRIPTION
32	H100760	1-1/4 WOODGRIP SCREW



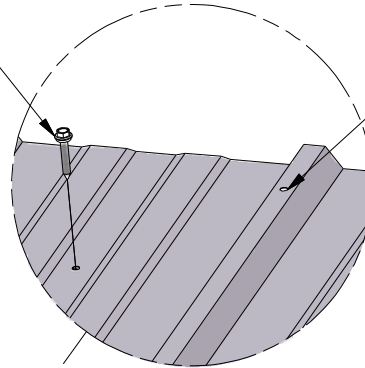
A4M01125
(x2) **29 GA STEEL SHEETING**



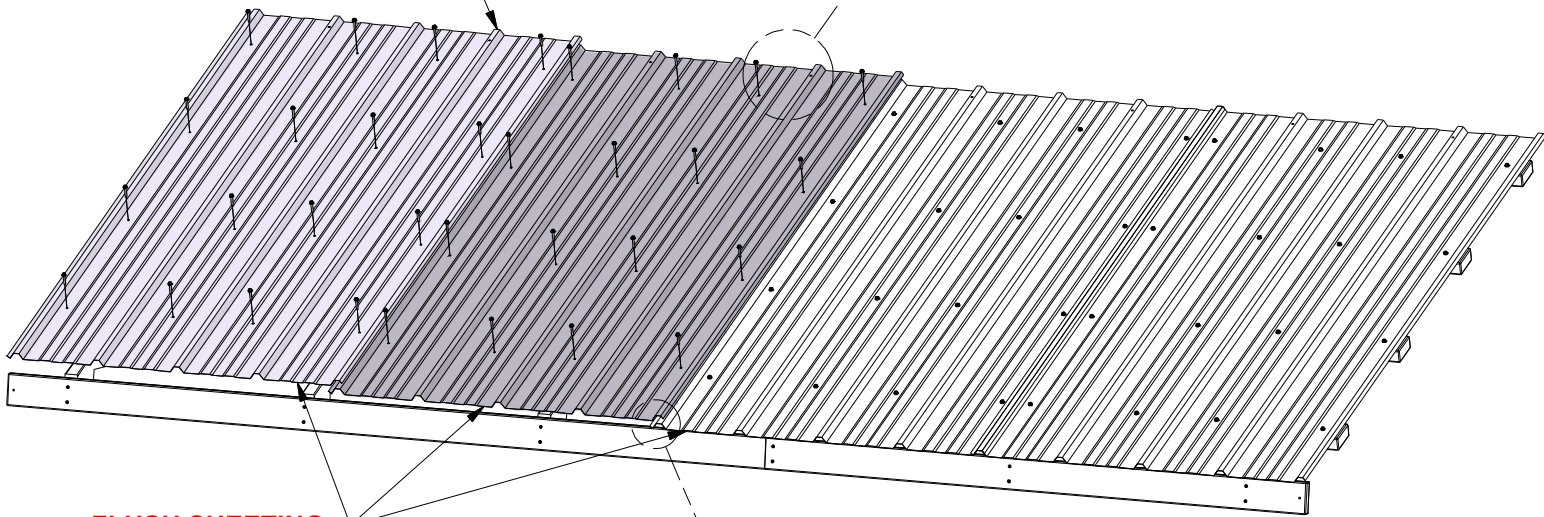
1/8 in
[3 mm]
HOLD SHEETING TO INSIDE OF FRAME.

760 (x32)
SCREW - 1 1/4"

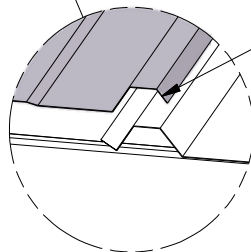
NOTE THRU HOLES



125 (x2)
29 GA STEEL SHEETING



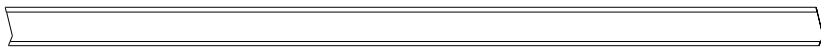
FLUSH SHEETING



NOTE RIB OVERLAP

STEP 17 - GAZEBO ASSEMBLY

QTY	PART NUMBER	DESCRIPTION
18	H100759	SCREW TAPPING



A4M01114
(x4) **ROOF EDGE TRIM**

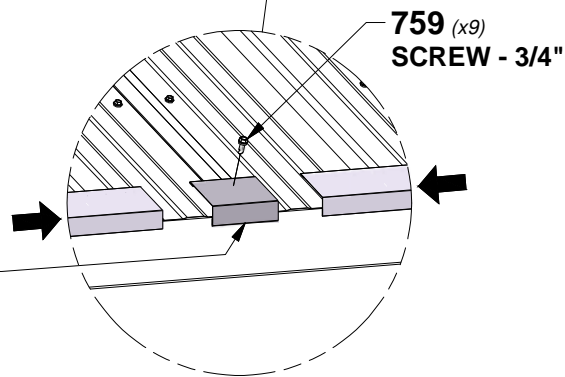
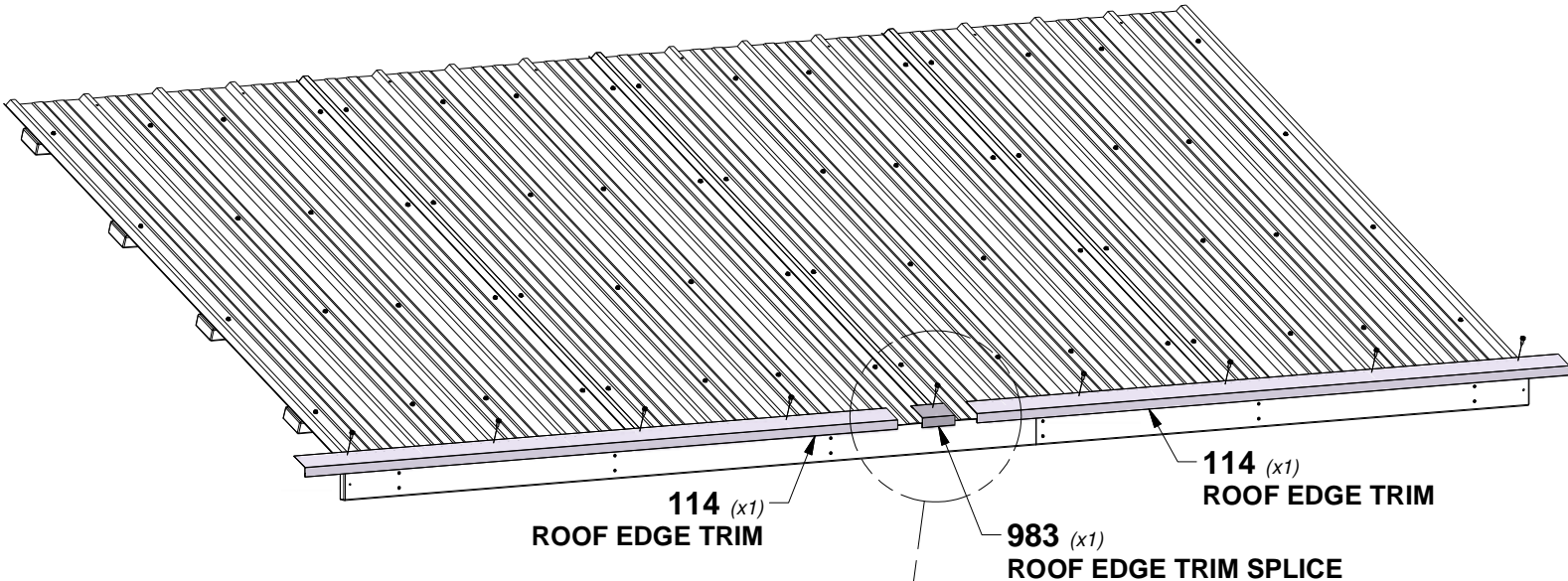
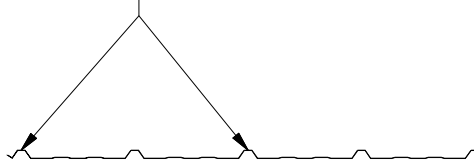


A4M00983
(x2) **ROOF EDGE TRIM SPLICE**

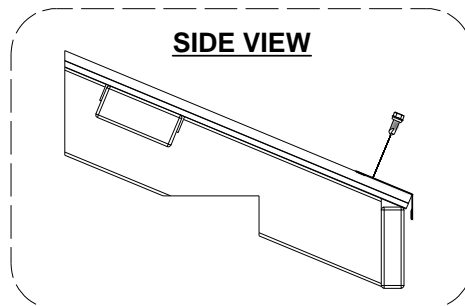
COMPLETE THIS STEP TWICE

DUE TO MULTIPLE LAYERS OF METAL ON THE EDGE TRIM, IT IS RECOMMENDED THAT A 1/8" DRILL BIT IS USED TO CREATE STARTER HOLES.

SCREWS GO THROUGH EDGE TRIM INTO THE TOP OF THE RIBS IN THE APPROXIMATE LOCATIONS SHOWN.



SLIDE EDGE TRIM INTO SPLICE.
ENSURE THAT BOTH ENDS ARE FLUSH
WITH EDGE OF ROOF PANELS.

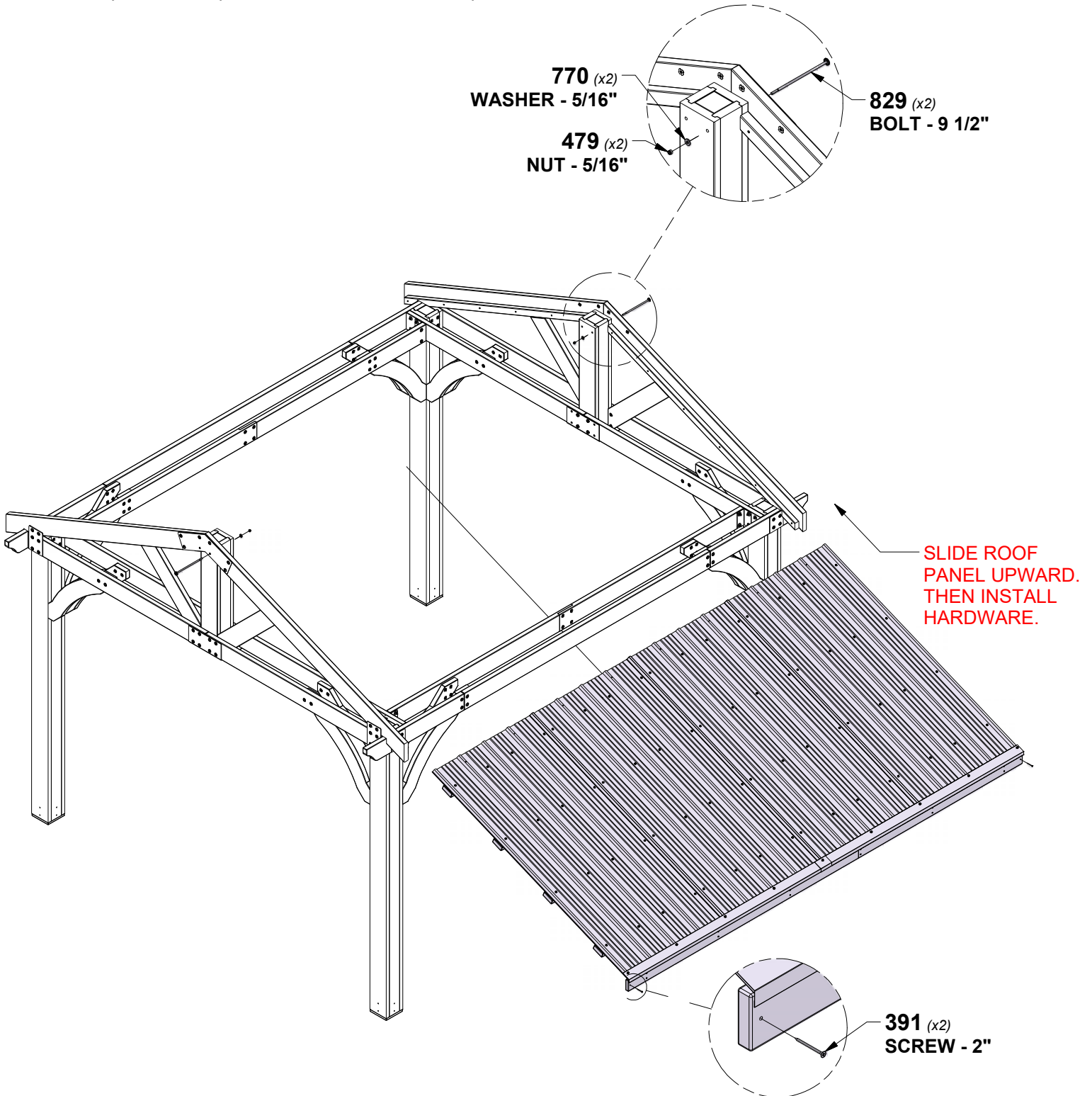


STEP 18 - GAZEBO ASSEMBLY

QTY	PART NUMBER	DESCRIPTION
2	H100391	SCREW PFH 8x2 BLK
2	H100479	NUT LOCK 5/16 BLK
2	H100770	WASHER FLAT 5/16 BLK
2	H100829	BOLT WH 5/16x9 1/2 BLK

TIPS:

- With at least two people lift assembled roof panel and slide it into the tracks on the rafters.
- Once in place, install attachment hardware as shown.
- A third person is helpful to attach roof once it is in place.

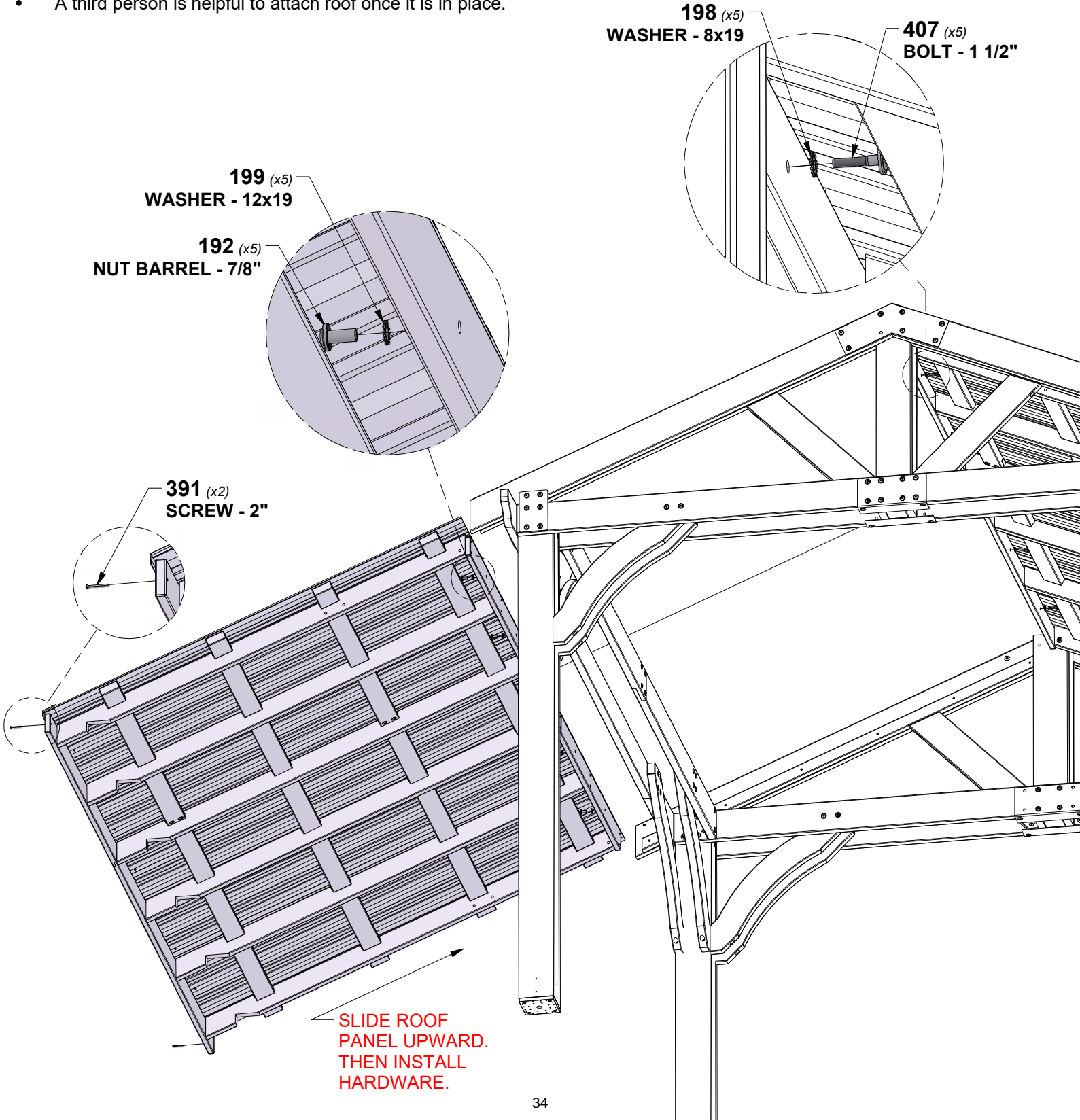


STEP 19 - GAZEBO ASSEMBLY

QTY	PART NUMBER	DESCRIPTION
5	H100192	NUT BARREL WH 5/16x7/8 BLK
5	H100198	WASHER LOCK EXT 8x19 BLK
5	H100199	WASHER LOCK EXT 12x19 BLK
2	H100391	SCREW PFH 8x2 BLK
5	H100407	BOLT WH 5/16x1 1/2 BLK

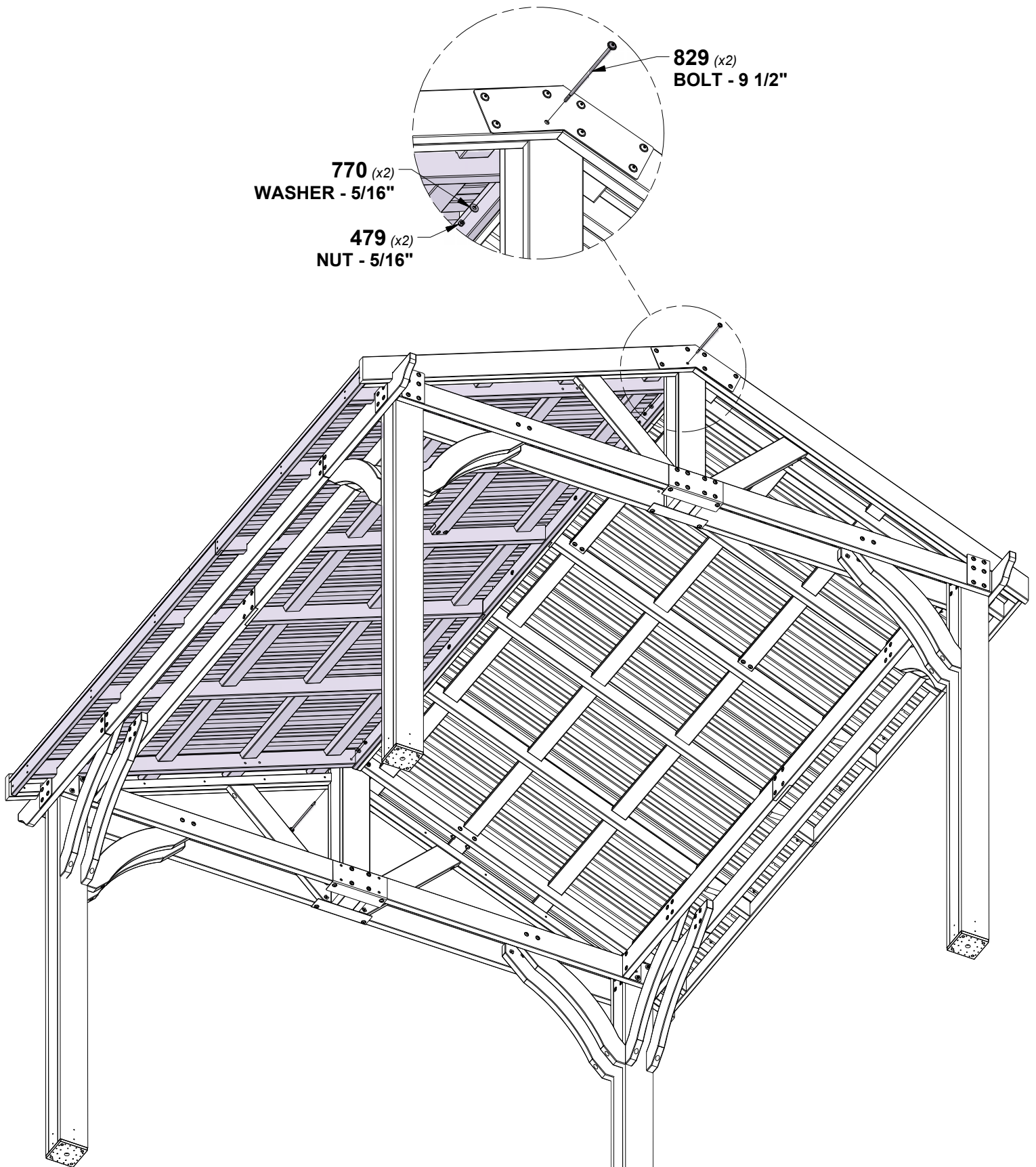
TIPS:

- With at least two people lift assembled roof panel and slide it into the tracks on the rafters.
- Once in place, install attachment hardware as shown.
- A third person is helpful to attach roof once it is in place.



STEP 20 - GAZEBO ASSEMBLY

QTY	PART NUMBER	DESCRIPTION
2	H100479	NUT LOCK 5/16 BLK
2	H100770	WASHER FLAT 5/16 BLK
2	H100829	BOLT WH 5/16x9 1/2 BLK



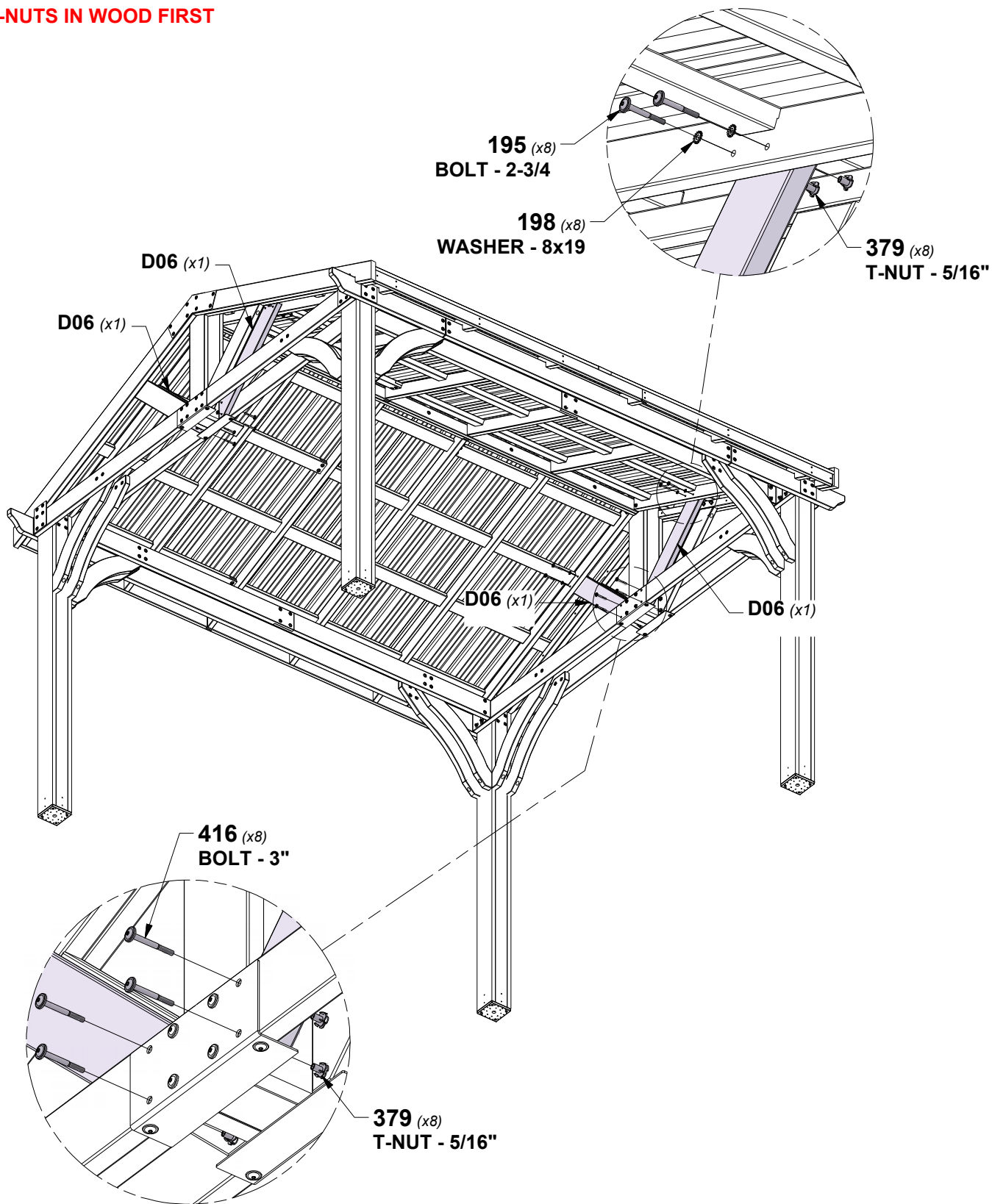
STEP 21 - GAZEBO ASSEMBLY



D06 ANGLE BRACE - W4L18472
 (x4) 1 3/8"x5 1/4"x32 3/8" (36x134x823)

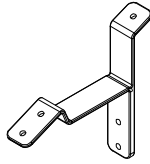
QTY	PART NUMBER	DESCRIPTION
8	H100195	BOLT WH 5/16x2-3/4 BLK
8	H100198	WASHER LOCK EXT 8x19 BLK
16	H100379	T-NUT 5/16 BLK
8	H100416	BOLT WH 5/16x3 BLK

TIP:
INSTALL T-NUTS IN WOOD FIRST

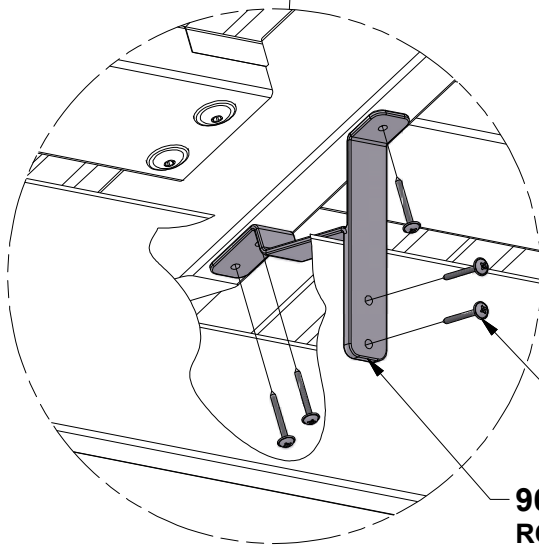
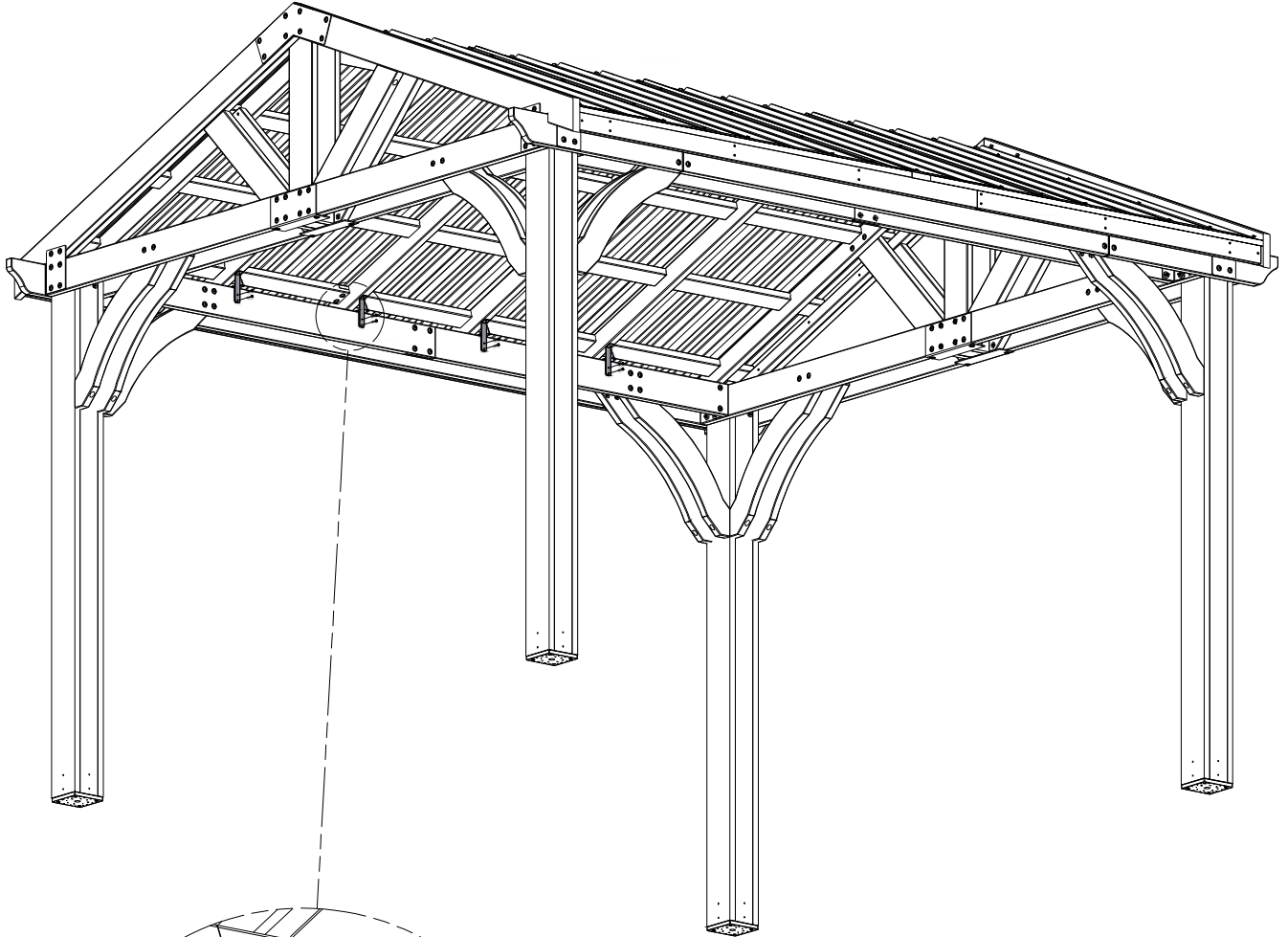


STEP 22 - GAZEBO ASSEMBLY

QTY	PART NUMBER	DESCRIPTION
40	H100536	SCREW PWH 8x1-1/4 BLK



A4M00961
(x8) ROOF BRACKET



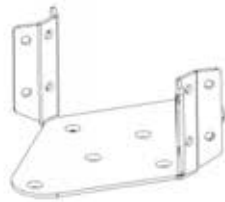
CENTER ROOF BRACKETS ON EACH RAFTER AND ATTACH.

536 *(x40)*
SCREW - 1/4"

961 *(x8)*
ROOF BRACKET

STEP 23 - GAZEBO ASSEMBLY

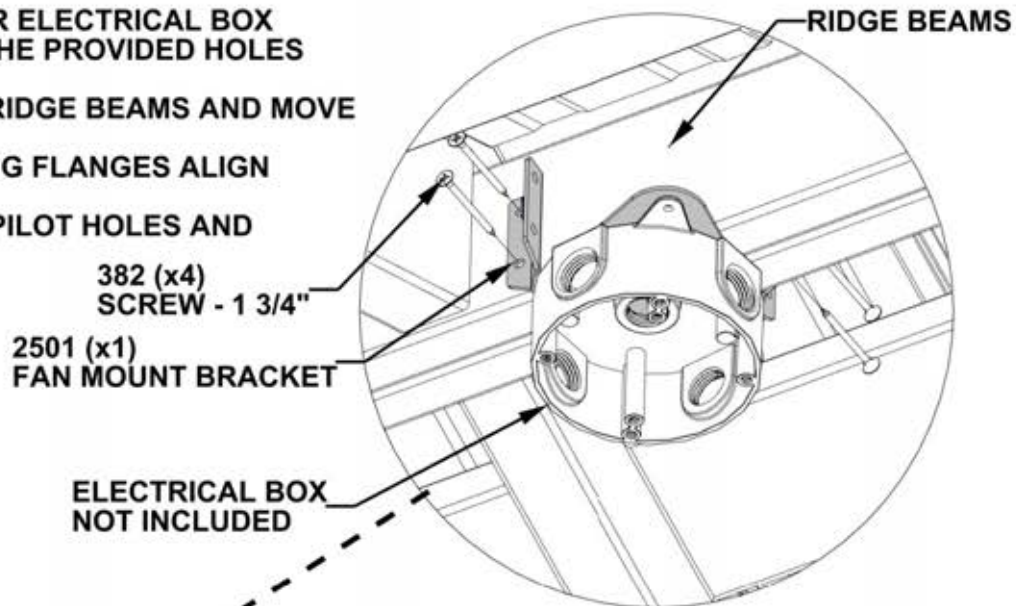
Qty	PART NUMBER	DESCRIPTION
4	H100382	SCREW PFH 8x1 3/4 BLK



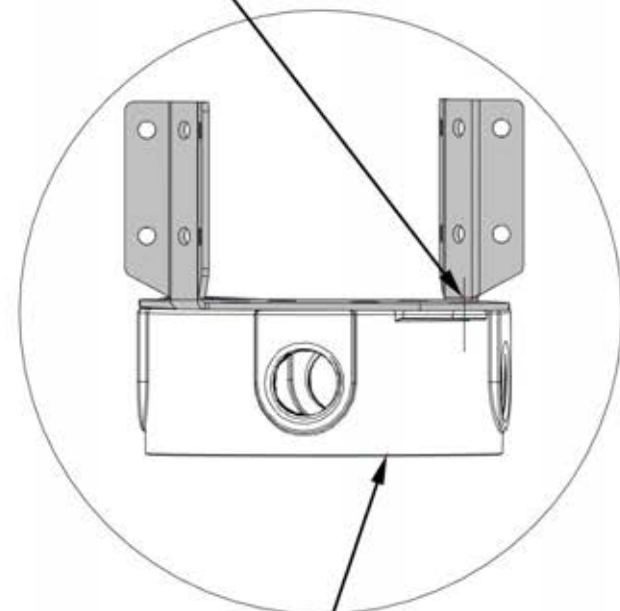
A4M02501 FAN MOUNT BRACKET
(x1)

NOTES:

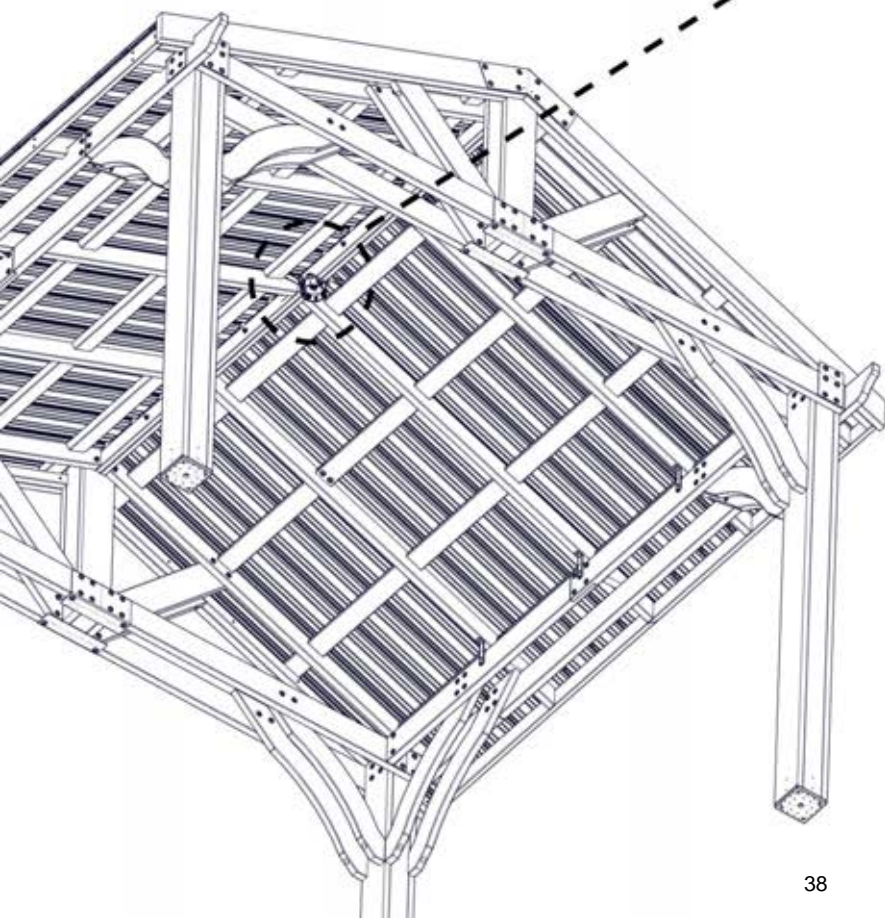
1. BEFORE MOUNTING, ATTACH YOUR ELECTRICAL BOX (PROVIDED SEPARATELY) USING THE PROVIDED HOLES IN FAN MOUNT BRACKET.
2. PLACE FAN MOUNT BRACKET ON RIDGE BEAMS AND MOVE TO DESIRED FAN LOCATION.
3. ROTATE BRACKET UNTIL MOUNTING FLANGES ALIGN BEST WITH RIDGE BEAMS.
4. USE AN 1/8" DRILL BIT AND DRILL PILOT HOLES AND ATTACH AS SHOWN.



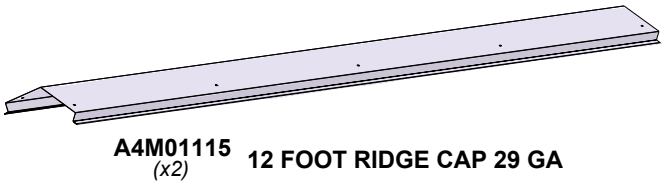
HARDWARE
BY OTHERS



ELECTRICAL BOX
NOT INCLUDED

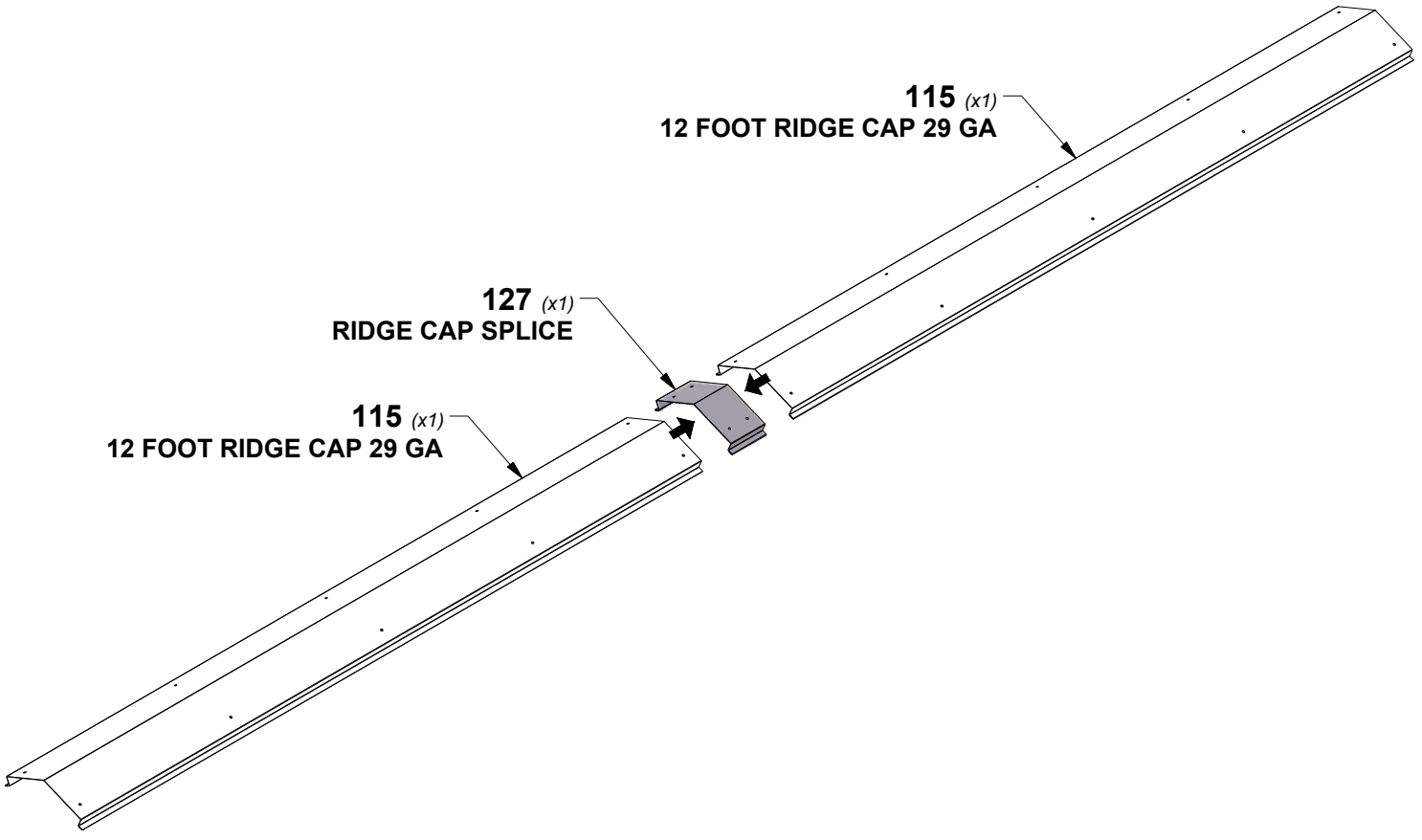


STEP 24 - GAZEBO ASSEMBLY



RIDGE CAP ASSEMBLY PREPARATION

INSTALL THE PROVIDED RIDGE CAP SPLICE BY SLIDING EACH RIDGE CAP INTO THE SPLICE AS SHOWN UNTIL CENTERED.



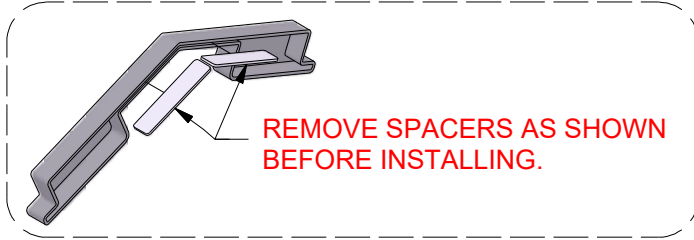
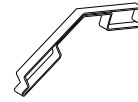
STEP 25 - GAZEBO ASSEMBLY

QTY	PART NUMBER	DESCRIPTION
20	H100833	SCREW WOODGRIP

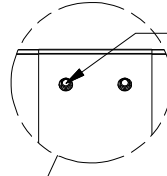
J02 RIDGE CAP STIFFENER - W4L18486
 (x2) 1"x2 3/8"x82 1/2" (24x60x2096)

J01 RIDGE CAP STIFFENER - W4L18485
 (x2) 1"x2 3/8"x60 7/8" (24x60x1546)

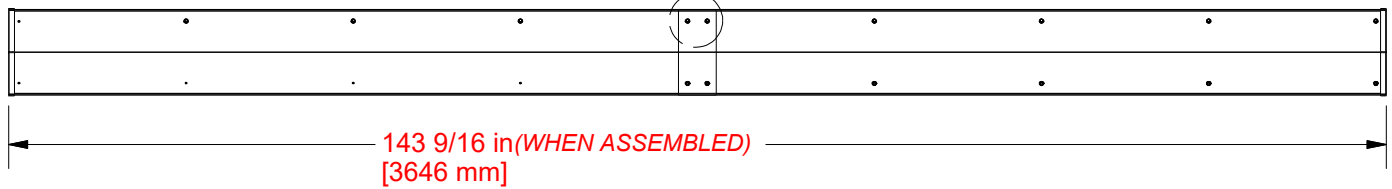
A6P00398 RIDGE CAP PROTECTOR
 (x2)



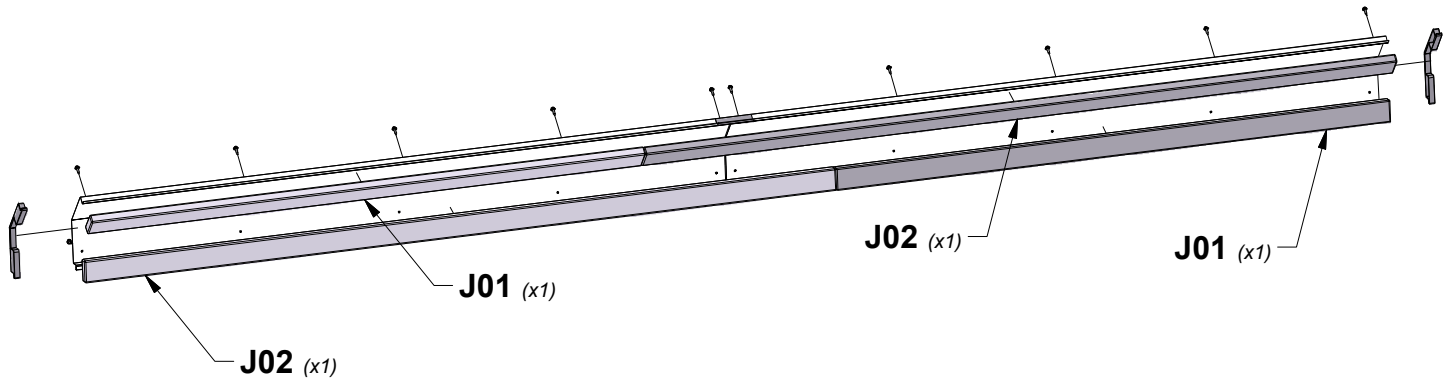
ASSEMBLE BY ALIGNING THE HOLES ON EACH RIDGE CAP TO THE HOLES IN THE RIDGE CAP SPLICE.



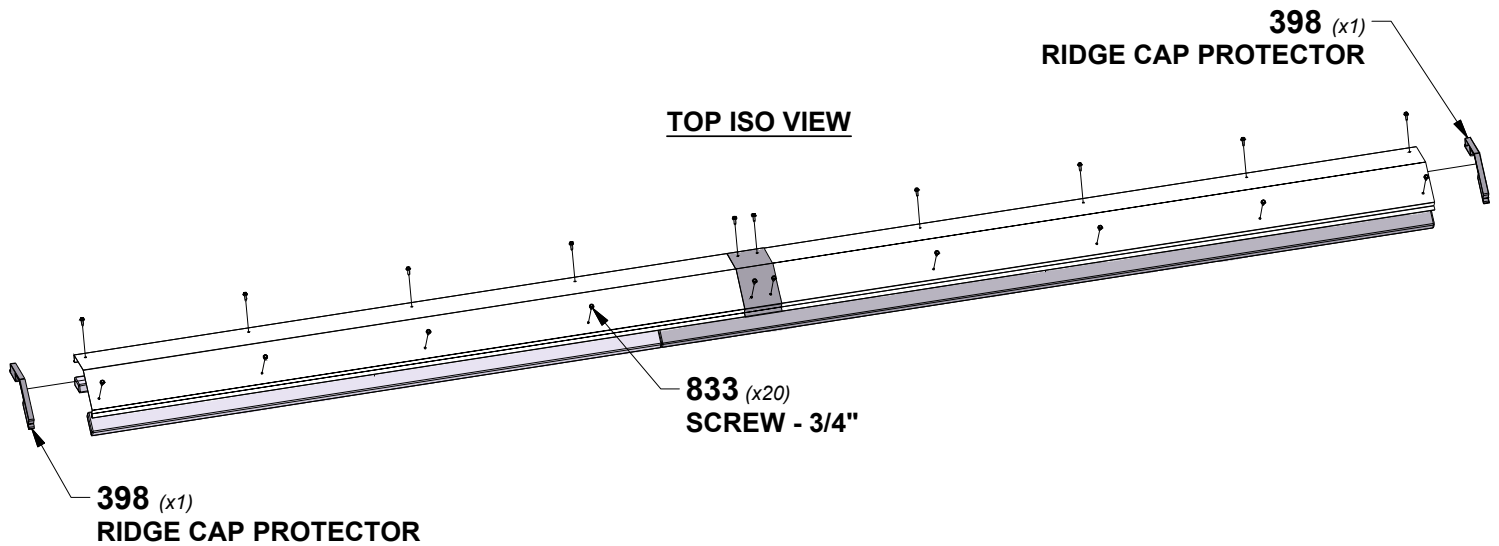
TOP VIEW



BOTTOM VIEW

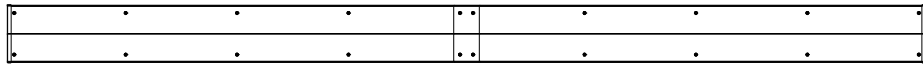


TOP ISO VIEW

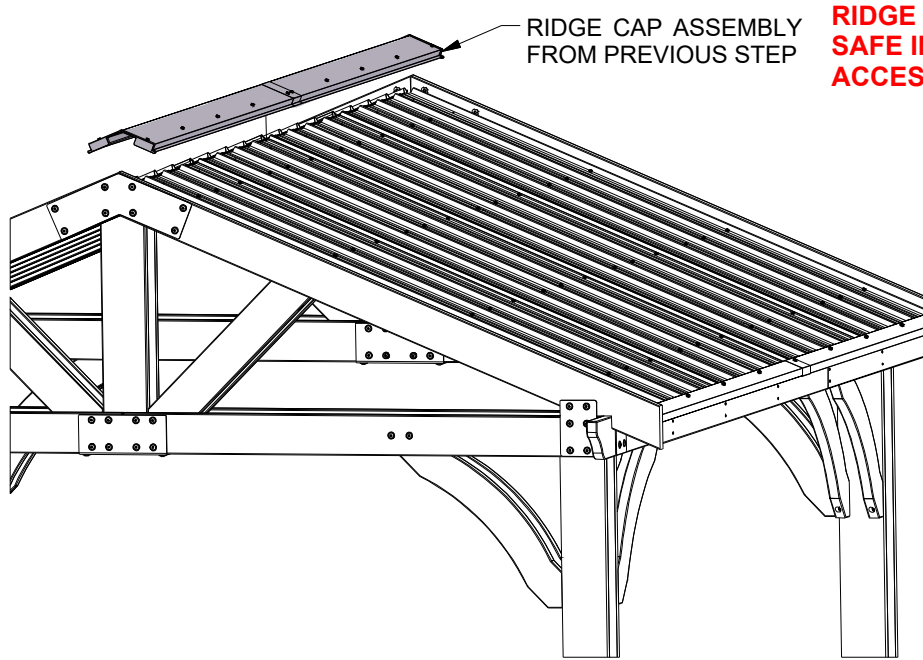


STEP 26 - GAZEBO ASSEMBLY

QTY	PART NUMBER	DESCRIPTION
16	H100392	SCREW PWH 8x3/4 BLK



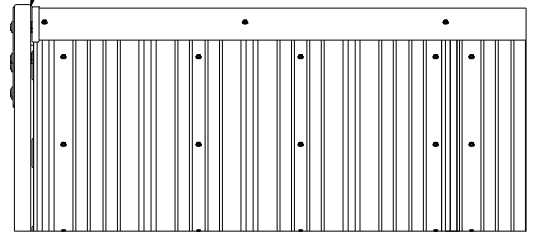
RIDGE CAP ASSEMBLY FROM PREVIOUS STEP



RIDGE CAP ASSEMBLY FROM PREVIOUS STEP

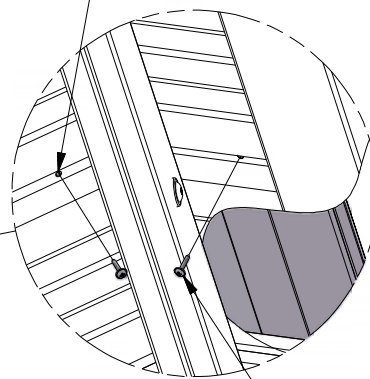
RIDGE CAP ASSEMBLY HAS BEEN DESIGNED FOR SAFE INSTALLATION FROM A LADDER AND NO ROOF ACCESS IS REQUIRED NOR RECOMMENDED.

USING AN ADULT HELPER, SLIDE RIDGE CAP ASSEMBLY CAREFULLY ACROSS THE ROOF RIDGE UNTIL BOTH ENDS SIT INSIDE RAFTERS AS SHOWN.

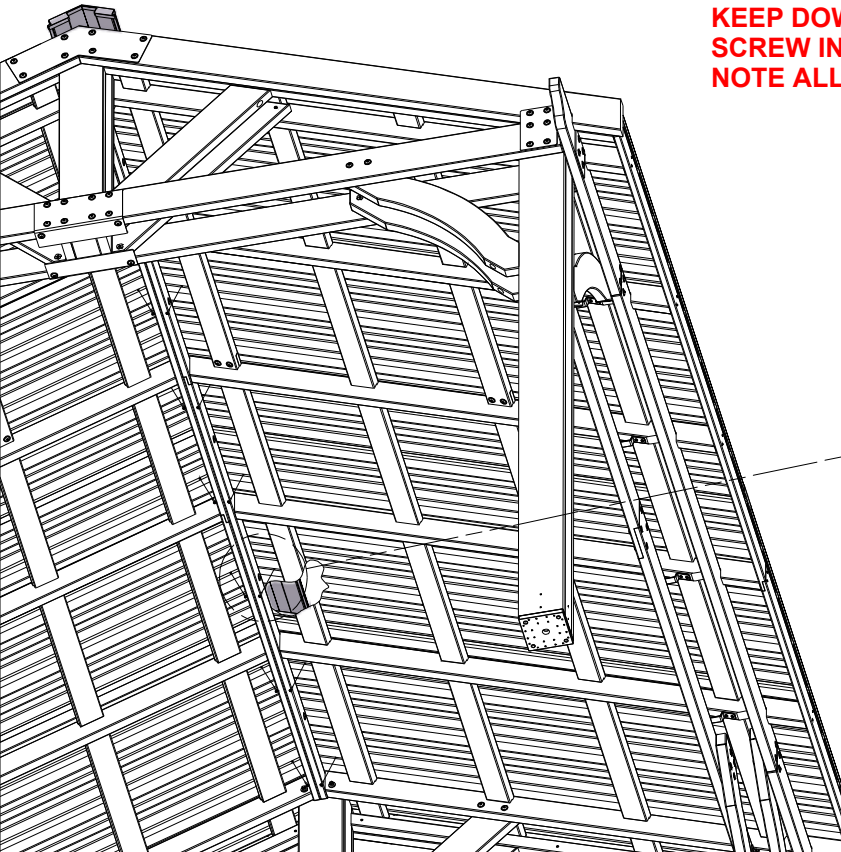


FOR PROPER INSTALLATION, USE AN ADULT HELPER TO KEEP DOWNWARD PRESSURE ON THE RIDGE CAP DURING SCREW INSTALLATION. NOTE ALL SCREWS LAND IN STIFFENER BOARDS.

NOTE USE PILOT HOLES TO ATTACH ROOF PANEL.

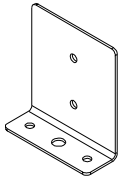


**392 (x16)
SCREW - 3/4"**

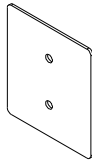


STEP 27 - GAZEBO ASSEMBLY

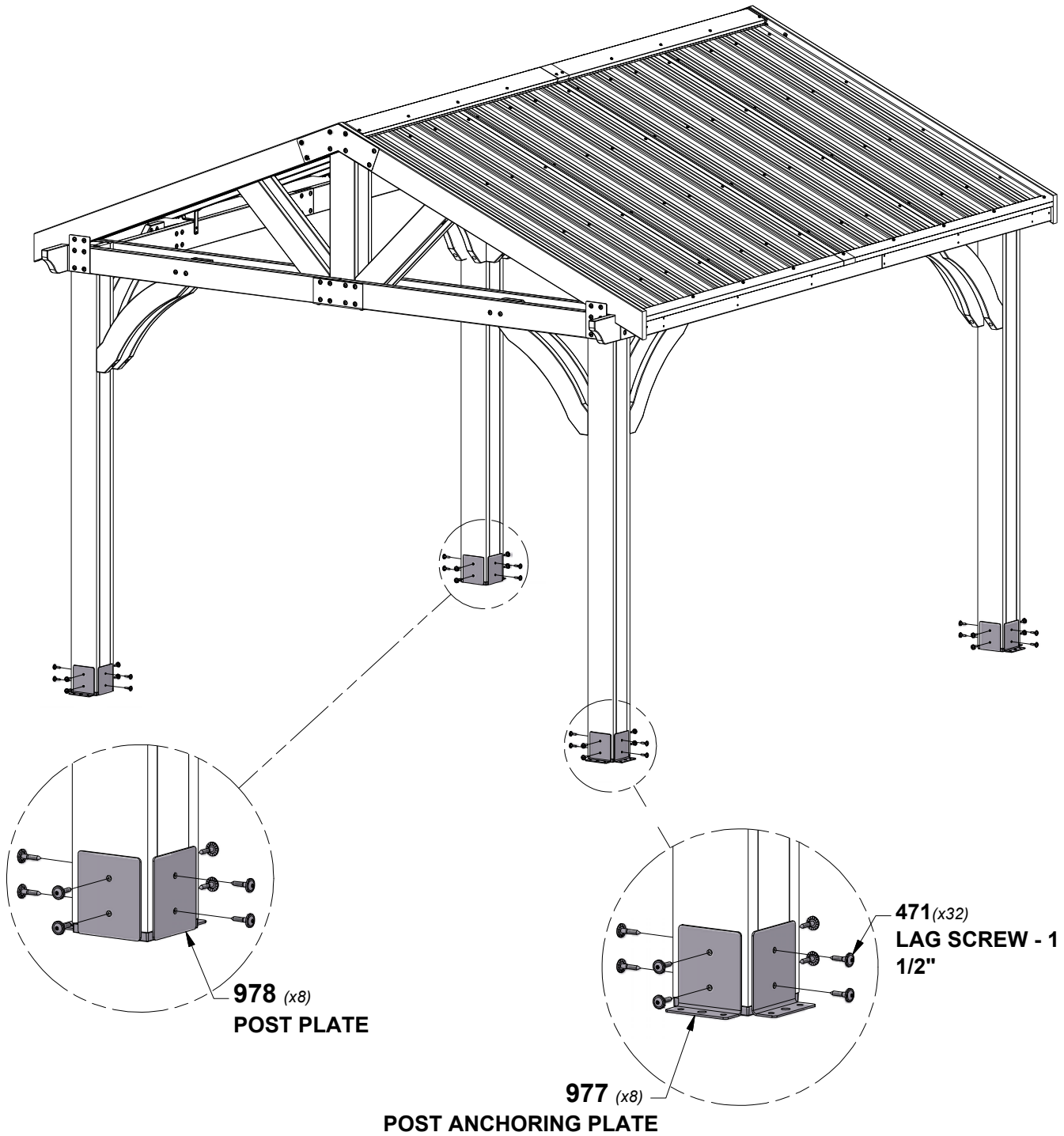
QTY	PART NUMBER	DESCRIPTION
32	H100471	LAG SCREW WH 5/16x1-1/2 BLK



A4M00977
(x8) **POST ANCHORING PLATE**



A4M00978
(x8) **POST PLATE**

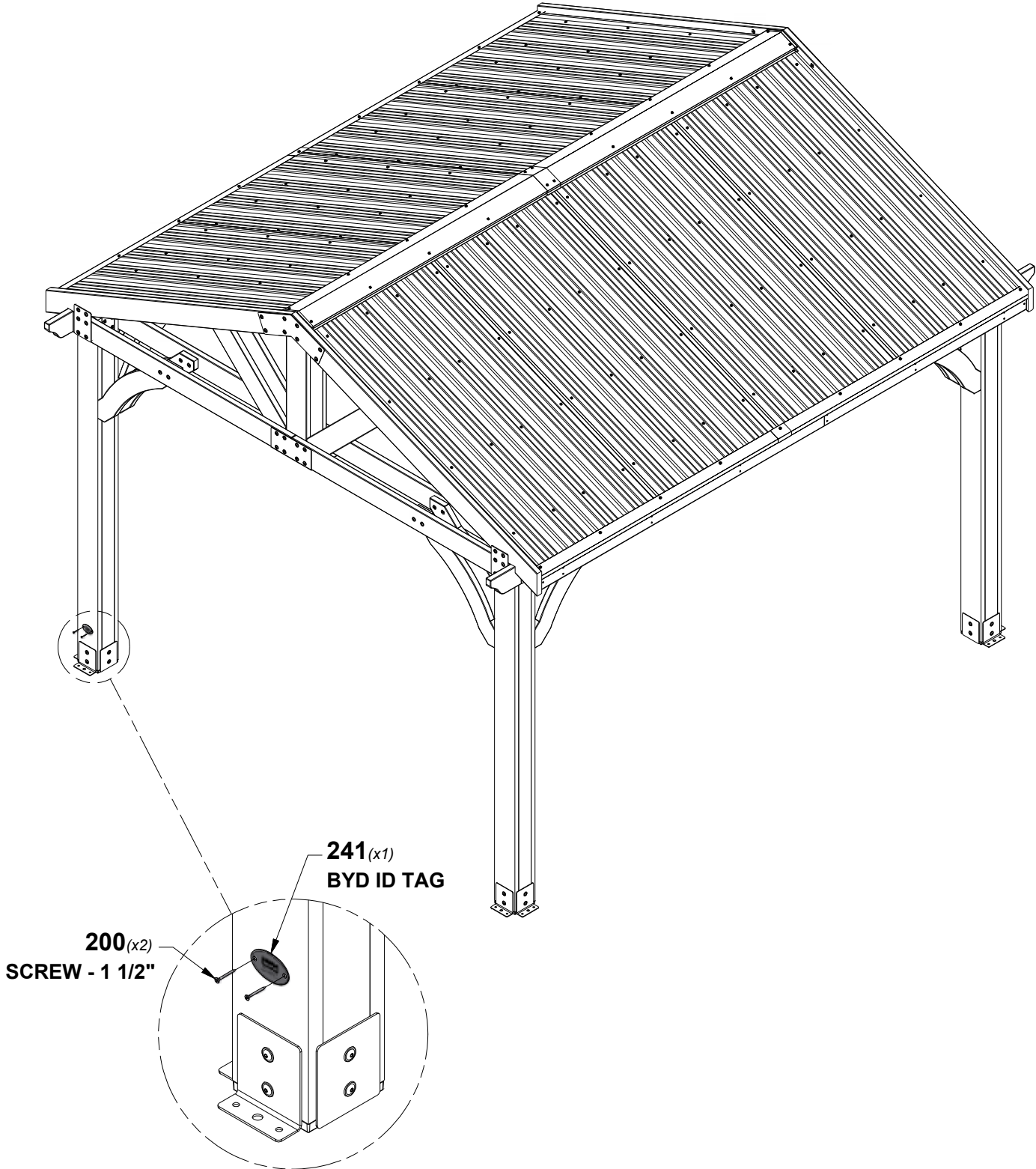


STEP 28 - GAZEBO ASSEMBLY

QTY	PART NUMBER	DESCRIPTION
2	H100200	SCREW PFH 8x1-1/2 BLK



A100241
(x1) **BYD ID TAG (SMALL) WITHOUT AGES**

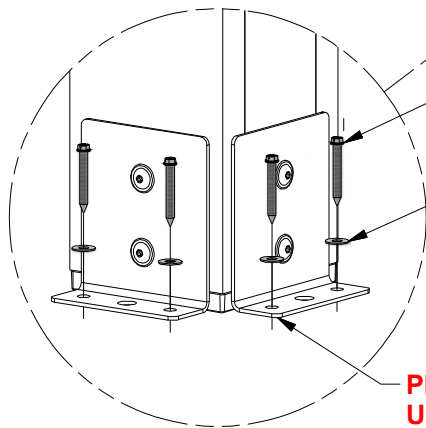
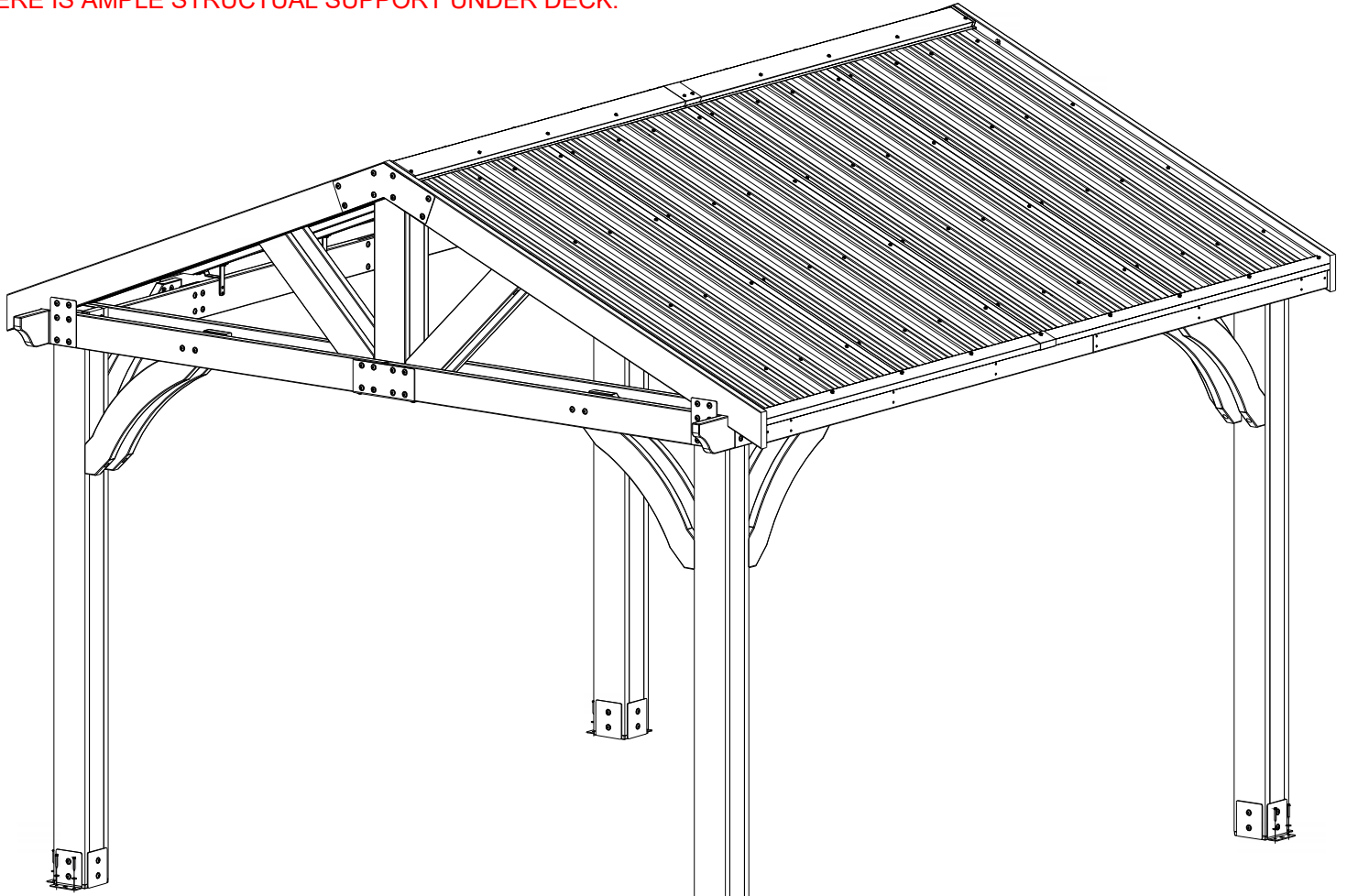


STEP 29 - GAZEBO ASSEMBLY

QTY	PART NUMBER	DESCRIPTION
16	H100120	SCREW CONCRETE ANCHOR
16	H100630	WASHER FLAT 8x19 BLK

MANUFACTURER RECOMMENDS INSTALLATION ON CONCRETE SURFACE OR CONCRETE POST PADS. SEE BELOW.

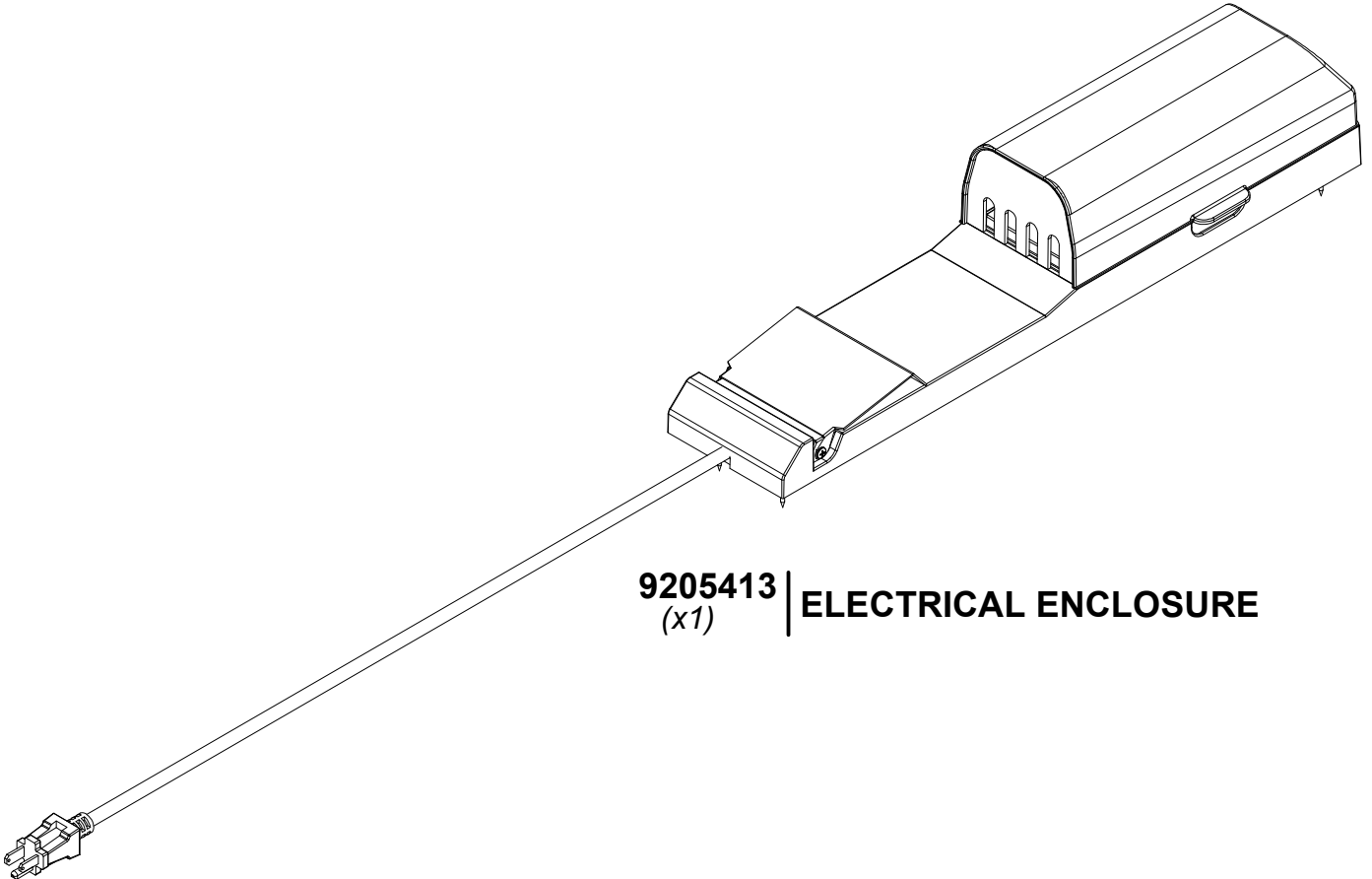
FOR INSTALLATION ON WOOD DECK, YOU MUST ENSURE THERE IS AMPLE STRUCTURAL SUPPORT UNDER DECK.



120(x16)
SCREW - 2"

630(x16)
WASHER -
8x19

PRE-DRILL HOLES FOR CONCRETE ANCHORS
USING A 3/16" CONCRETE DRILL BIT.



9205413 | **ELECTRICAL ENCLOSURE**
(x1)

FOR POWERPORT INSTALLATION REFER TO ASSEMBLY INSTRUCTIONS THAT COME PACKAGED WITH THE POWERPORT KIT. INSTALL ON ANY POST THAT IS DESIRED. FOLLOW DIRECTIONS FOR PROPER INSTALLATION.